

SLIDE SCREW



PACIFIC INTERNATIONAL BEARING SALES, INC.
800.228.8895 • WWW.PACIFICBEARINGSALES.COM

SLIDE GUIDE

BALL SPLINE
ROTARY BALL SPLINE

TOPBALL® PRODUCTS

SLIDE BUSH

SLIDE UNIT

STROKE BUSH
SLIDE ROTARY BUSH

SLIDE SHAFT

SLIDE WAY
SLIDE TABLE
GONIO WAY

ACTUATOR

SLIDE SCREW

SLIDE SCREW

The NB slide screw converts rotational motion into linear motion by utilizing the friction between radial ball bearings and a shaft. This simple mechanism eases maintenance and installation cost. The slide screw is most commonly used as transport devices in many types of machines, and is not intended for accurate positioning requirements.

STRUCTURE AND ADVANTAGES

The NB slide screw consists of two aluminum blocks, each with three radial bearings with a fixed angle between them. A round shaft is inserted between the two blocks, and its rotation produces linear motion determined by the contact angle between the shaft and bearings. For variable loads, the thrust is adjusted by turning the spring loaded hexagonal bolts.

Linear Motion on a Round-shaft:

The NB Slide Screw is suitable for long-stroke applications using a standard linear shaft.

High Machine Efficiency:

The slide screw utilizes the rotational motion of the bearings and shaft to achieve machine efficiency as high as 90%.

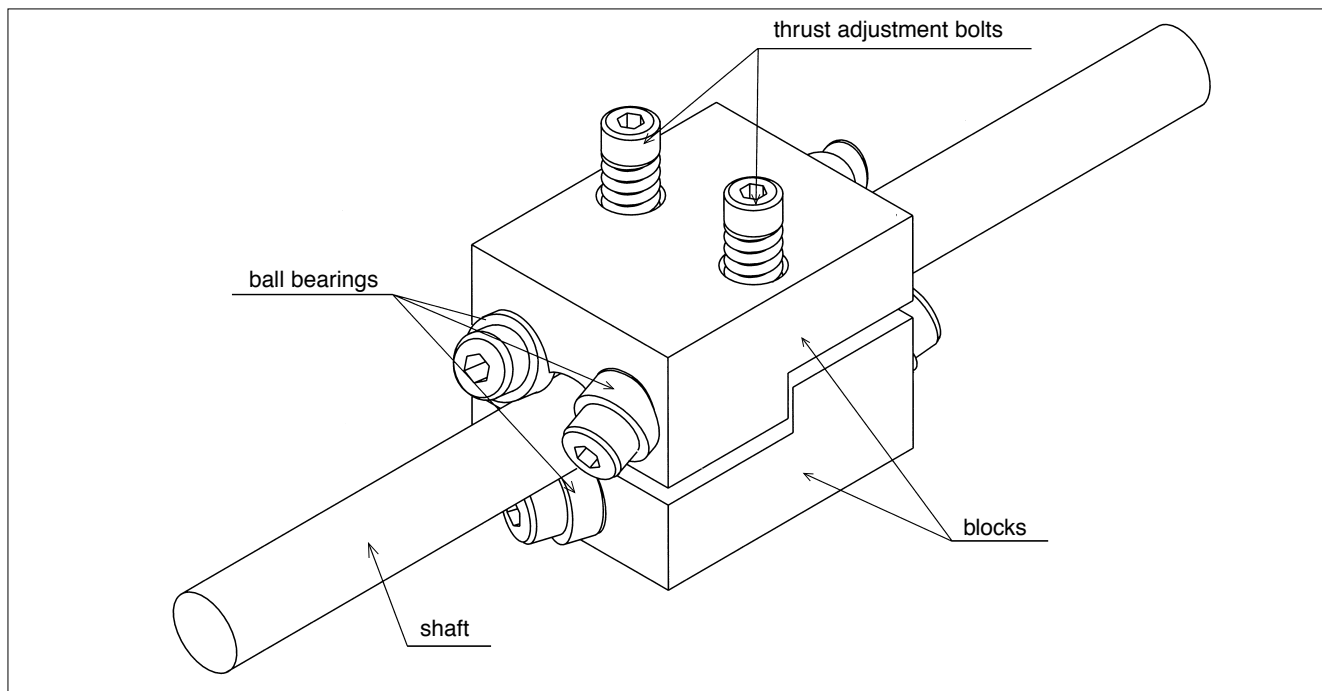
No Lubrication Required:

The bearings are pre-lubricated with grease prior to shipment, so there is no need to apply lubrication other than to the drive shaft to prevent corrosion.

Excessive Load Prevention Mechanism:

When an excessive load is applied, the screw will stop due to slippage, thereby preventing accidents.

Figure J-1 Structure of NB Slide Screw



SELECTION METHOD

Required Thrust:

Tightening of the bolts creates a thrust force that pushes the bearings against the shaft. This results in a constant force being applied to the bearings regardless of the load. The thrust should not be greater than required force in the application.

$$F_1 = \mu \cdot g \cdot W \quad \dots\dots\dots(1)$$

F₁: frictional resistance (N) μ: friction coefficient W: mass of work (kg)
g: gravitational acceleration (9.8 m/sec²)

A sufficient safety margin should be achieved at μ = 0.01. Also, the inertia at starting and stopping should be taken into consideration.

$$F_2 = W \frac{dv}{dt} \quad \dots\dots\dots(2)$$

F₂: inertia (N) W: mass of work (kg) dv/dt: acceleration (9.8m/sec²)

Therefore, the required thrust is its maximum limit at starting point due to the combination of frictional resistance and inertia.

$$F = F_1 + F_2 \quad \dots\dots\dots(3)$$

F: thrust (N) F₁: frictional resistance (N) F₂: inertia (N)

Torque:

After deciding the thrust required, decide the driving torque corresponding to that thrust. The torque is calculated as follows:

$$T = \frac{Fa \ell}{2\pi\eta} \quad \dots\dots\dots(4)$$

T: driving torque (N.cm) Fa: axial load (N)
ℓ: lead (cm) η: efficiency (0.9) Fa=Fo

Life:

The rated life is expressed in terms of the number of revolutions of the drive shaft: Equation (5). The corresponding total distance traveled and life time are given in Equations (6) and (7) respectively.

Rated life

$$L = \left(\frac{C}{F} \right)^3 10^6 \quad \dots\dots\dots(5)$$

Total travel distance

$$L_s = \frac{L \cdot \ell}{10^6} \quad \dots\dots\dots(6)$$

Life time

$$L_h = \frac{L}{60 \cdot n} \quad \dots\dots\dots(7)$$

L: rated life (rev) C: basic dynamic load rating (N)
F: thrust (N) L_s: travel life (km)
ℓ: lead (mm) L_h: life time (hr)
n: revolutions per min (rpm)

Table J-1 Basic Dynamic Load Rating

part number	basic dynamic load rating (N)
SS 6	98
SS 8	294
SS10	441
SS12	588
SS13	588
SS16	784
SS20	1,080
SS25	1,470
SS30	2,160

Allowable Rotational Speed:

When the rotational speed is increased and approaches the shaft resonant frequency, the shaft is disabled from further operation. This speed is called the critical speed and can be obtained by the following equation. In order to leave a sufficient safety margin, the maximum operating speed should be set at about 80% of the calculated value.

$$N_c = \frac{60 \lambda^2}{2 \pi L^2} \sqrt{\frac{EI \times 10^3}{\gamma A}} \dots\dots\dots(8)$$

N_c : critical speed (rpm) E : modulus of direct elasticity (N/mm²)
 γ : density (kg/mm³) λ : installation coefficient (refer to Figure J-3)
 L : support distance (mm) I : geometrical moment of inertia (mm⁴)
 A : cross-sectional area of the shaft (mm²)

If modulus of direct elasticity is 2.06×10^5 N/mm² and density is 7.85×10^{-6} kg/mm³, the critical speed for a solid shaft is:

$$N_c = 12.2 \cdot \frac{\lambda^2}{L^2} D \times 10^6 \dots\dots\dots(9)$$

N_c : critical speed (rpm)
 λ : installation coefficient (refer to Figure J-3)
 L : support distance (mm) D : shaft diameter (mm)

Figure J-2 Critical Speed and Support Distance

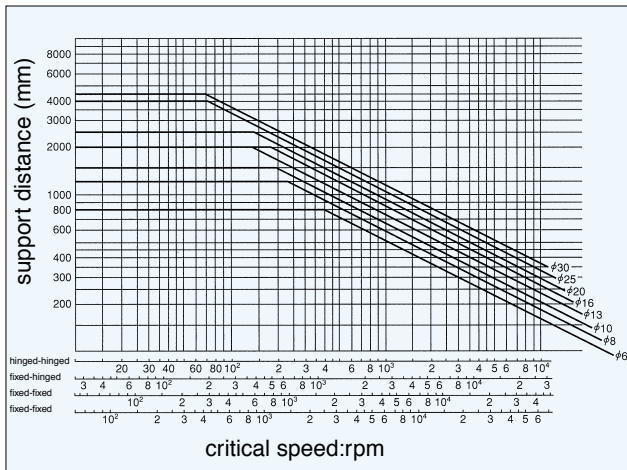
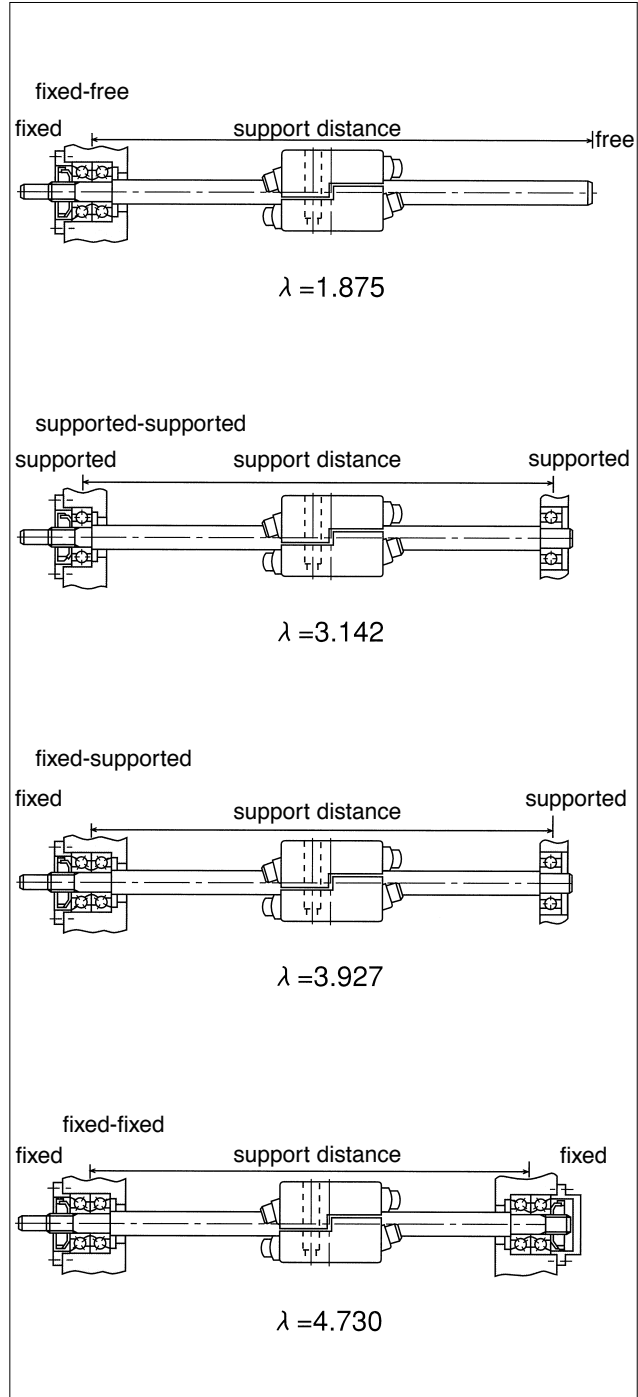


Figure J-3 Mounting of Slide Screw





Sample Calculation:

1. Selecting a slide screw that satisfies the following conditions:

Support method: fixed-supported

Support distance: 1,500 mm

External force: 98 N

Table mass: 50 kg

Stroke distance: 1,200 mm

Friction coefficient: 0.01

Maximum speed of movement: 12 m/min

Strokes per minute: 4

● Determination of required thrust:

$$F = 98 + (0.01 \times 50 \times 9.8) = 102.9 \text{ N}$$

Therefore, based on the maximum thrust required, at least SS10 is required in size.

● Allowable rotational speed:

From Equation (9)

According to the conditions, the critical speed N_c is.

$$N_c = 12.2 \cdot \frac{\lambda^2}{L^2} \cdot D \times 10^6 \left[\begin{array}{l} \lambda = 3.927 \\ L = 1500 \text{ mm} \end{array} \right]$$

$$= 83.6 \text{ D rev}$$

Applying a safety factor of 0.8, the maximum velocity is given by:

$$V_{\max} = \frac{0.8 \cdot N_c \cdot \ell}{1000} \text{ m/min} \quad (\ell : \text{lead mm})$$

The following table summarizes the results of the calculations above for SS10 to SS16.

Table J-2

part number	shaft diameter	lead	critical speed	maximum speed
	D mm	ℓ mm	N_c rpm	V_{\max} m/min
SS10-10	10	10	836	6.68
SS10-15		15		10.0
SS13-13	13	13	1086	11.2
SS13-15		15		13.0
SS16-16	16	16	1337	17.1

Therefore, the SS13-15 and SS16-16 slide screws satisfy the given conditions.

● Life Calculation:

The life for the SS13-15 slide screw is calculated as follows. The rated life is obtained using Equation (5).

$$L = \left[\frac{C}{F} \right]^3 10^6 = 186 \times 10^6 \text{ rev}$$

The average number of rotations that satisfies the condition is:

$$n = \frac{1,200 \times 2 \times 4}{15} = 640 \text{ rev}$$

The life in terms of time is:

$$L_n = \frac{L}{60 \times n} = 4,840 \text{ hour}$$

For the SS16-16 slide screw:

$$L = 4.40 \times 10^6 \text{ rev}$$

$$n = 600 \text{ rev}$$

$$L_n = 12,200 \text{ hour}$$

2. Determining the maximum speed of movement under the following conditions:

Support method: fixed-supported

Support distance: 2,000 mm

Slide screw used: SS16-16

The critical speed is obtained from Equation (9):

$$N_c = 12.2 \cdot \frac{\lambda^2}{L^2} \cdot D \times 10^6 \left[\begin{array}{l} \lambda = 3.927 \\ L = 1500 \text{ mm} \\ D = 16 \text{ mm} \end{array} \right]$$

$$= 752 \text{ rpm}$$

Applying a safety factor of 0.8, the maximum speed of movement is:

$$V_{\max} = \frac{0.8 \cdot N_c \cdot \ell}{1000} \text{ m/min} \quad (\ell : \text{lead mm})$$

$$= 9.6 \text{ m/min}$$



INSTALLATION

1. Clean dust from drive shaft.
2. Place shaft between upper and lower blocks. Lightly tighten hexagonal bolts until the clearance between the shaft and the bearings diminishes.
3. Temporarily attach the slide screw to the table.
4. Adjust the parallelism between the slide screw and the linear motion guides by manually moving the table forward and backward. Fix the shaft accurately after the required parallelism is achieved.
5. Tighten the bolts evenly while applying a thrust force until slippage disappears. Care should be required to avoid excessive tightening which results in shortening the rated life.

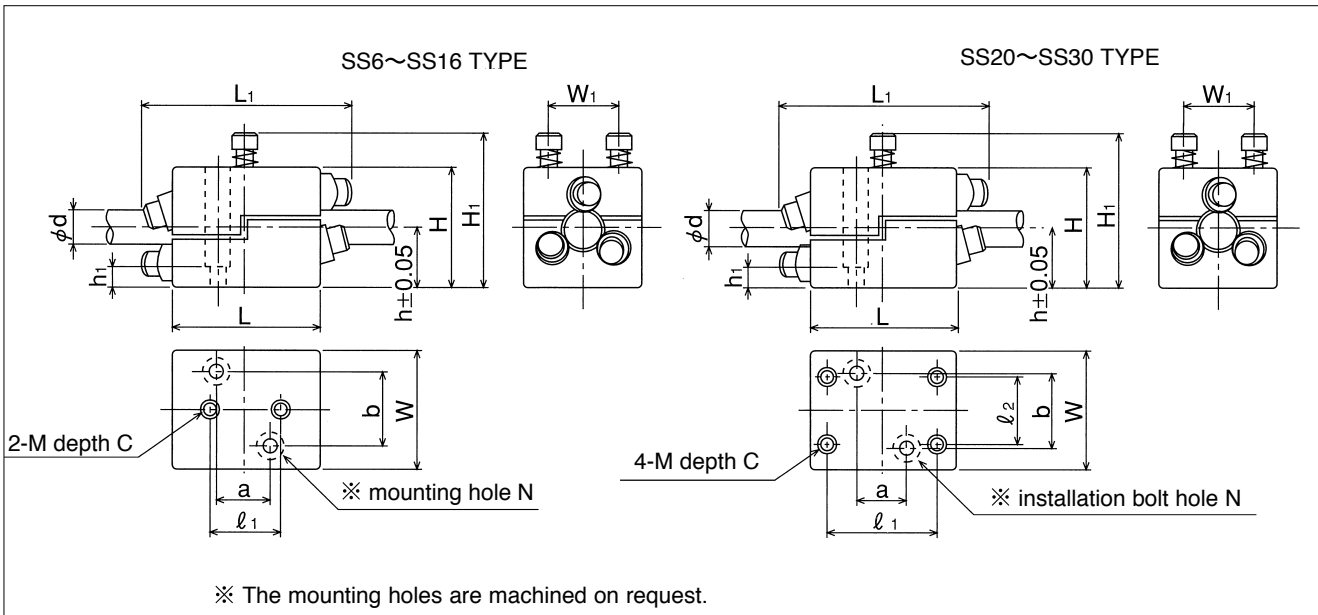
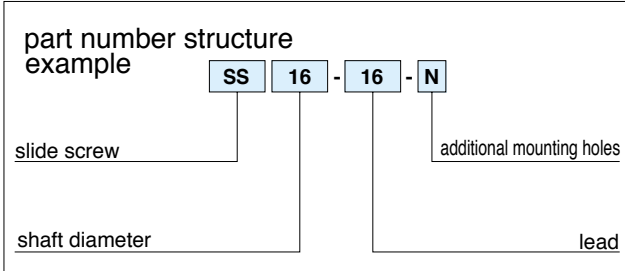
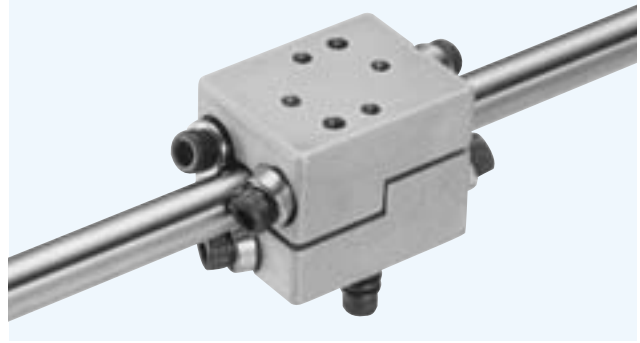
NOTES ON OPERATION

- Use of a heat-treated ground shaft such as NB's slide shaft to prevent wear and obtain smooth motion is recommended.
- Since the slide screw utilizes the friction between the bearings and the shaft, the lead varies due to the effect of load variation, movement direction, and shaft conditions. Highly accurate positioning can be obtained by attaching a linear scale to the aluminum blocks.
- If the slide screw and shaft are not parallel, an unbalanced load will be applied to the slide screw. Exercise care in controlling the parallelism.
- The slide screw slips on the shaft if an excessive load is applied, in order to prevent damage. However, frequent slippage should be avoided not to shorten the travel life.
- Please transfer the radial load to linear motion guides since the radial load on the slide screw shortens the rated life.

SPECIAL REQUIREMENTS

NB can fabricate slide screws to meet special requirements, including screws with a special lead or a even reverse lead. Contact NB for further information.

SS TYPE



Part number	shaft diameter		major dimensions														standard lead	maximum thrust	maximum tightening torque	mass
	d	H	W	L	h	H ₁	L ₁	W ₁	ℓ ₁	ℓ ₂	a	b	M	C	N	h ₁				
SS 6	6	20.5	20	25	10	28	36	12	10	-	-	-	M3	6.5	-	-	6, 9	24.5	0.03	0.03
SS 8	8	28.5	28	40	14	40	56	18	18	-	-	-	M4	9	-	-	8,12	73.5	0.14	0.09
SS10	10	36.5	36	45	18	51	62	24	20	-	20	24	M4	12	M4	8	10,15	118	0.25	0.17
SS12	12	40.5	40	50	20	54	72	25	25	-	20	25	M5	12.5	M4	10	12,18	147	0.31	0.22
SS13	13	40.5	40	50	20	54	72	25	25	-	20	25	M5	12.5	M4	10	13,15	147	0.31	0.22
SS16	16	50.5	50	60	25	62	86	32	30	-	25	32	M5	16	M5	10	16,24	196	0.41	0.39
SS20	20	60.5	60	70	30	71	97	40	50	40	30	40	M6	12	M6	10	20,30	265	0.56	0.57
SS25	25	76.5	76	80	38	87	110	50	60	50	32	50	M8	12	M8	15	25	392	1.1	1.05
SS30	30	89	90	88	44	92	127	60	60	70	36	60	M8	15	M8	15	30,45	539	1.4	1.65

1N≒0.102kgf 1N·m≒0.102kgf·m



PACIFIC INTERNATIONAL BEARING SALES, INC.
800.228.8895 • WWW.PACIFICBEARINGSALES.COM