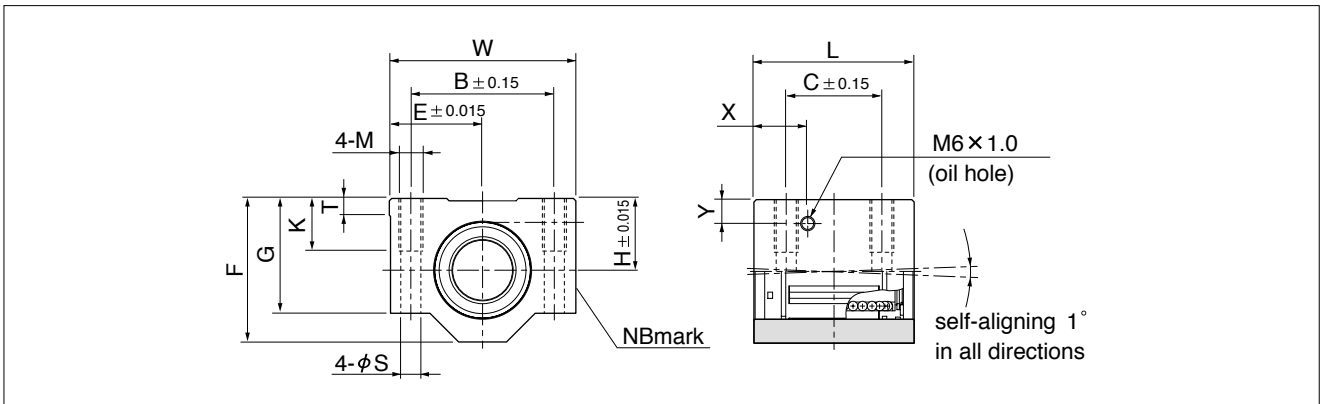
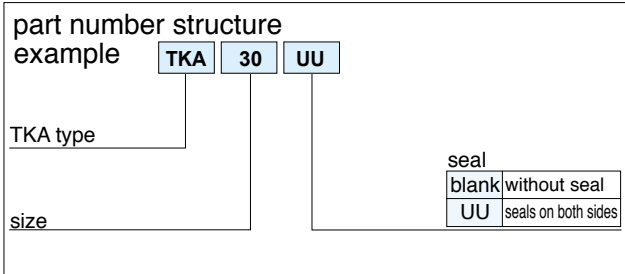


# TKA TYPE

– Block Type –

(Metric Series)



part number	nom. shaft dia. mm	major dimensions									mounting dimensions					load rating		mass g
		H	E	W	L	F	G	T	X	Y	B	C	M	K	S	dynamic C N	static Co N	
		mm	mm	mm	mm	mm	mm	mm	mm	mm	mm	mm	mm	mm	mm	mm	mm	
<b>TKA10UU</b>	10	16	20	40	36	31.5	25	5	—	—	29	20	M 5	11	4.3	750	935	90
<b>TKA12UU</b>	12	18	21.5	43	39	35	28	5	—	—	32	23	M 5	11	4.3	1020	1290	116
<b>TKA16UU</b>	16	22	26.5	53	43	42	35	5	—	—	40	26	M 6	13	5.3	1250	1550	205
<b>TKA20UU</b>	20	25	30	60	54	50	42	5	19	9	45	32	M 8	18	6.6	2090	2630	326
<b>TKA25UU</b>	25	30	39	78	67	60	48	7	22.5	10	60	40	M10	22	8.4	3780	4720	624
<b>TKA30UU</b>	30	35	43.5	87	79	70	58	8	26	11.5	68	45	M10	22	8.4	5470	6810	980
<b>TKA40UU</b>	40	45	54	108	91	90	72	10	26.5	14	86	58	M12	26	10.5	6590	8230	1670

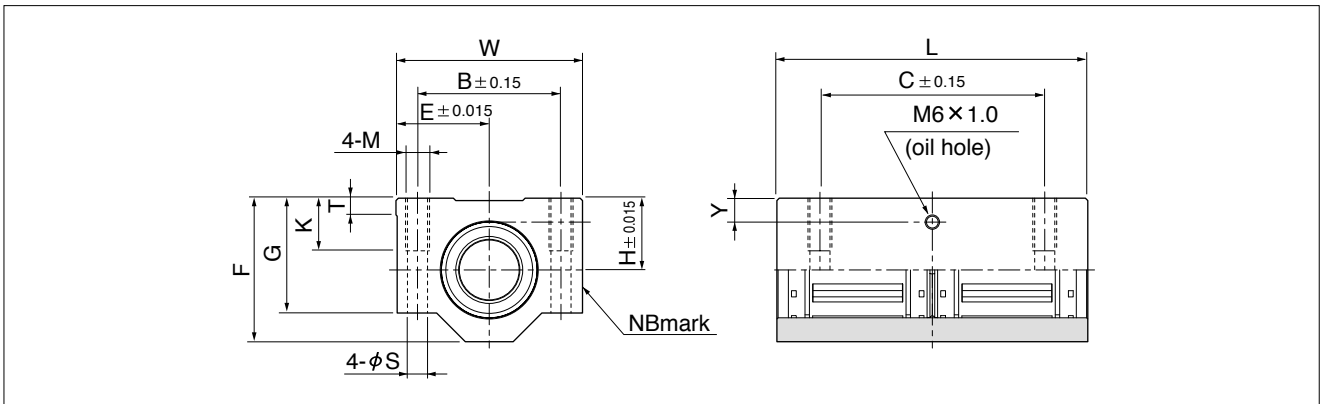
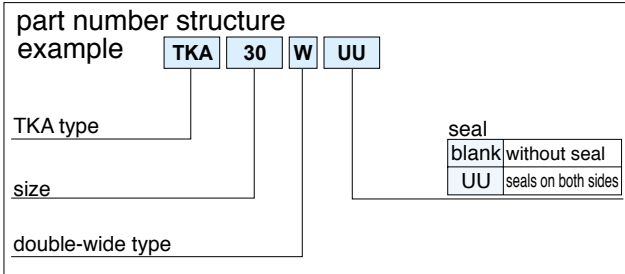
recommended shaft tolerance is h6

1N≐0.102kgf



# TKA-W TYPE

– Double-Wide Block Type –  
(Metric Series)



part number	nom. shaft dia. mm	major dimensions								mounting dimensions					load rating		mass g
		H	E	W	L	F	G	T	Y	B	C	M	K	S	dynamic C N	static Co N	
		mm	mm	mm	mm	mm	mm	mm	mm	mm	mm	mm	mm	mm	mm	mm	
TKA10WUU	10	16	20	40	70	31.5	25	5	7	29	52	M5	11	4.3	1215	1870	175
TKA12WUU	12	18	21.5	43	76	35	28	5	7.5	32	56	M5	11	4.3	1652	2580	227
TKA16WUU	16	22	26.5	53	84	42	35	5	9.5	40	64	M6	13	5.3	2025	3100	390
TKA20WUU	20	25	30	60	104	50	42	5	9	45	76	M8	18	6.6	3390	5260	630
TKA25WUU	25	30	39	78	130	60	48	7	10	60	94	M10	22	8.4	6120	9440	1210
TKA30WUU	30	35	43.5	87	152	70	58	8	11.5	68	106	M10	22	8.4	8860	13620	1880
TKA40WUU	40	45	54	108	176	90	72	10	14	86	124	M12	26	10.5	10680	16460	3280

1N≒0.102kgf

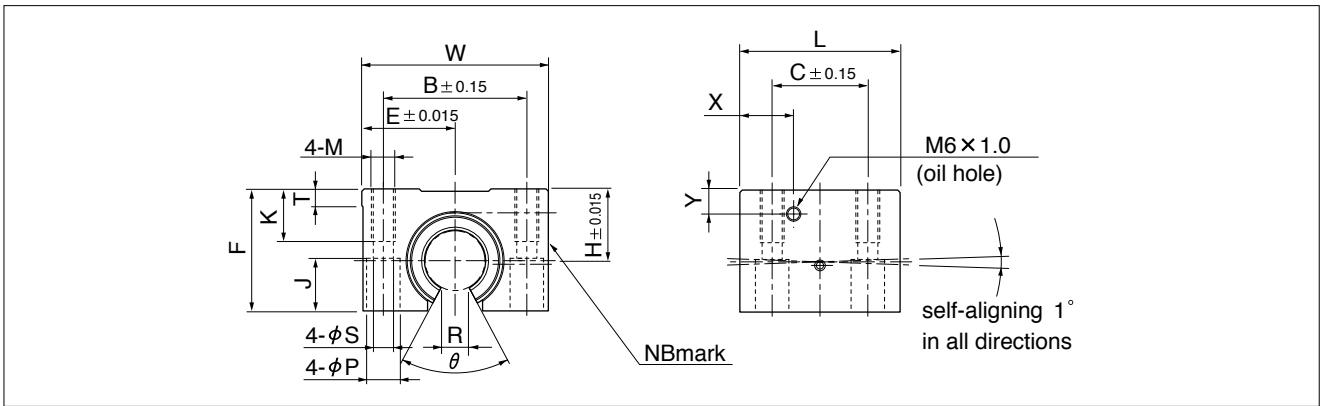
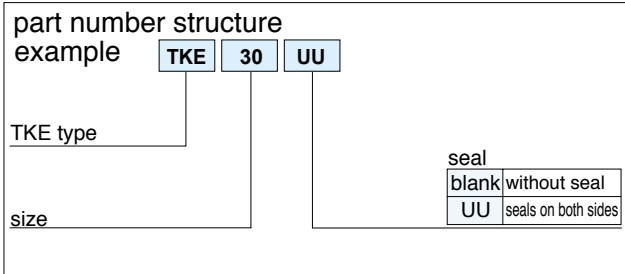


PACIFIC INTERNATIONAL BEARING SALES, INC.  
800.228.8895 • WWW.PACIFICBEARINGSALES.COM

# TKE TYPE

– Open Block Type –

(Metric Series)



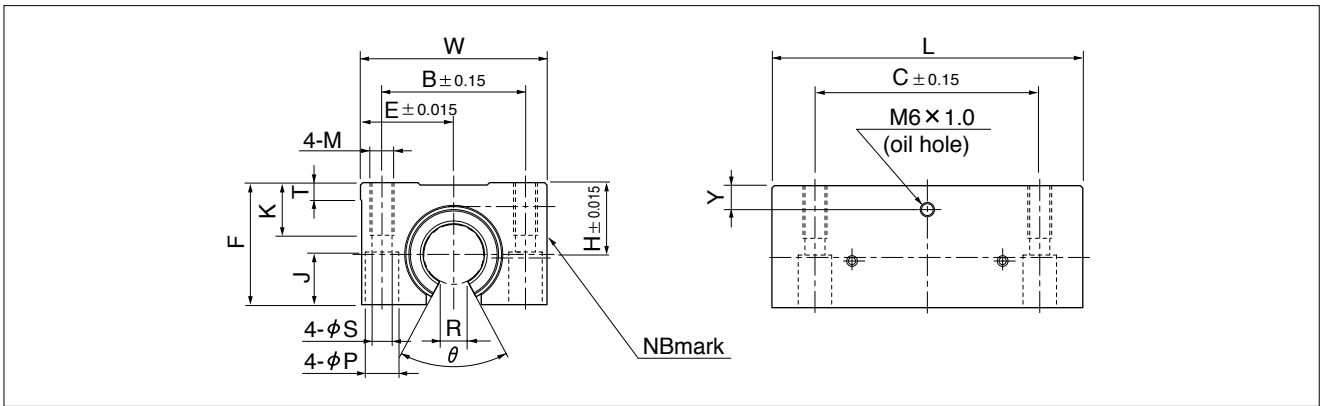
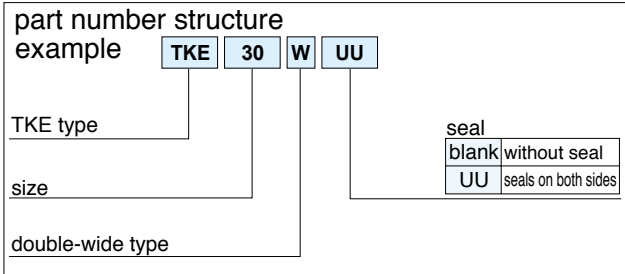
part number	nom. shaft dia. mm	major dimensions									mounting dimensions								load rating		mass g
		H	E	W	L	F	T	R	θ	X	Y	B	C	M	K	S	P	J	dynamic C N	static Co N	
<b>TKE12UU</b>	12	18	21.5	43	39	28	5	6.5	66°	14.5	7.5	32	23	M 5	11	4.3	8	4.5	1020	1290	99
<b>TKE16UU</b>	16	22	26.5	53	43	35	5	9	68°	15.5	9.5	40	26	M 6	13	5.3	9.5	5.5	1250	1550	175
<b>TKE20UU</b>	20	25	30	60	54	42	5	9	55°	19	9	45	32	M 8	18	6.6	11	6.5	2090	2630	275
<b>TKE25UU</b>	25	30	39	78	67	51	7	11.5	57°	22.5	10	60	40	M10	22	8.4	14	8.6	3780	4720	558
<b>TKE30UU</b>	30	35	43.5	87	79	60	8	14	57°	26	11.5	68	45	M10	22	8.4	14	8.6	5470	6810	860
<b>TKE40UU</b>	40	45	54	108	91	77	10	19.5	56°	26.5	14	86	58	M12	26	10.5	17.5	10.8	6590	8230	1490

1N≅0.102kgf



# TKE-W TYPE

– Double-Wide Open Block Type –  
(Metric Series)



part number	nom. shaft dia. mm	major dimensions									mounting dimensions							load rating		mass g
		H	E	W	L	F	T	R	θ	Y	B	C	M	K	S	P	J	dynamic C N	static Co N	
		mm	mm	mm	mm	mm	mm	mm	mm	mm	mm	mm	mm	mm	mm	mm	mm			
TKE12WUU	12	18	21.5	43	76	28	5	6.5	66°	7.5	32	56	M 5	11	4.3	8	4.5	1652	2580	190
TKE16WUU	16	22	26.5	53	84	35	5	9	68°	9.5	40	64	M 6	13	5.3	9.5	5.5	2025	3100	312
TKE20WUU	20	25	30	60	104	42	5	9	55°	9	45	76	M 8	18	6.6	11	6.5	3390	5260	505
TKE25WUU	25	30	39	78	130	51	7	11.5	57°	10	60	94	M10	22	8.4	14	8.6	6120	9440	1050
TKE30WUU	30	35	43.5	87	152	60	8	14	57°	11.5	68	106	M10	22	8.4	14	8.6	8860	13620	1630
TKE40WUU	40	45	54	108	176	77	10	19.5	56°	14	86	124	M12	26	10.5	17.5	10.8	10680	16460	2880

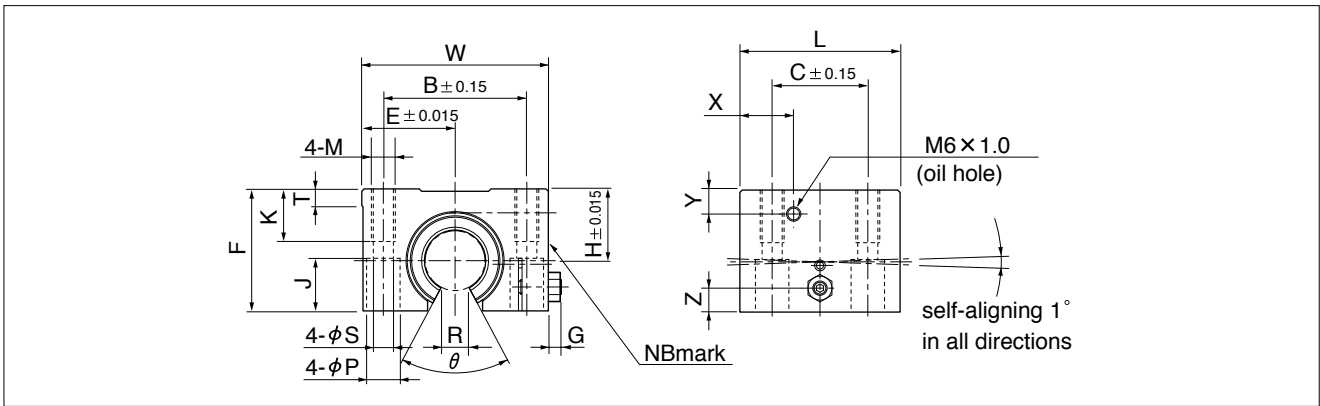
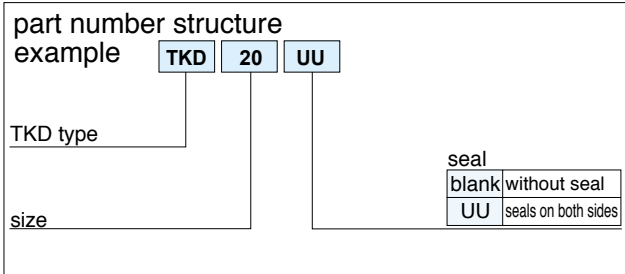
1N ≅ 0.102kgf



PACIFIC INTERNATIONAL BEARING SALES, INC.  
800.228.8895 • WWW.PACIFICBEARINGSALES.COM

# TKD TYPE

– Clearance Adjustable Open Block Type –  
(Metric Series)



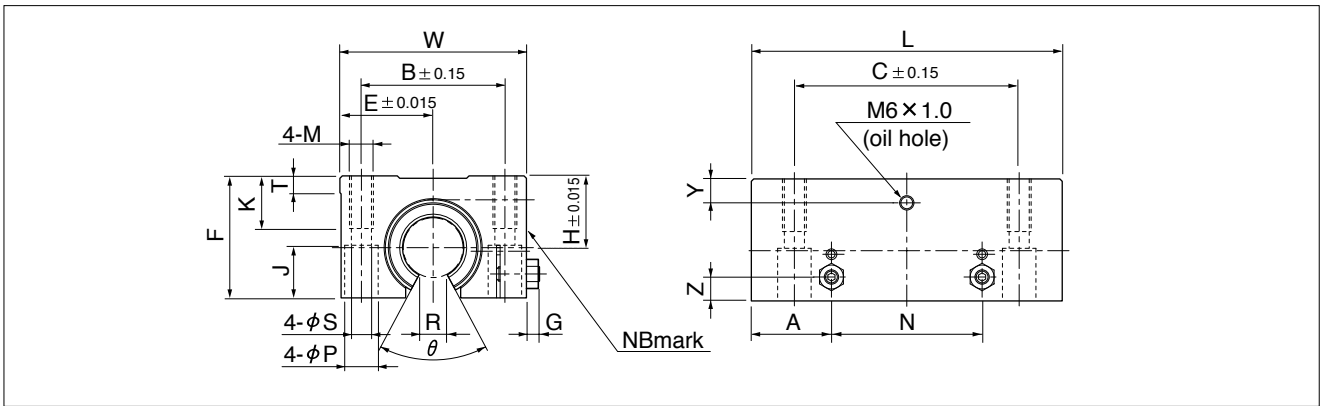
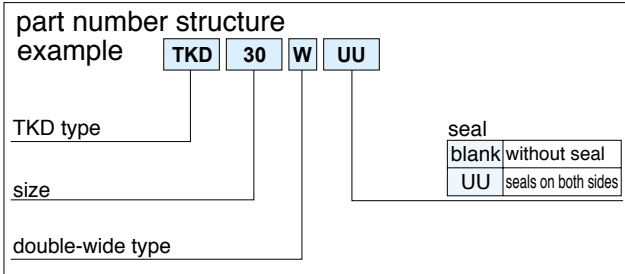
part number	nom. shaft dia. mm	major dimensions										mounting dimensions							load rating		mass g		
		H	E	W	L	F	G	Z	T	R	$\theta$	X	Y	B	C	M	K	S	P	J		dynamic C N	static Co N
<b>TKD12UU</b>	12	18	21.5	43	39	28	3.2	5	5	6.5	66°	14.5	7.5	32	23	M 5	11	4.3	8	11.5	1020	1290	99
<b>TKD16UU</b>	16	22	26.5	53	43	35	3.2	6	5	9	68°	15.5	9.5	40	26	M 6	13	5.3	9.5	14	1250	1550	175
<b>TKD20UU</b>	20	25	30	60	54	42	4	8	5	9	55°	19	9	45	32	M 8	18	6.6	11	18	2090	2630	275
<b>TKD25UU</b>	25	30	39	78	67	51	5.5	10	7	11.5	57°	22.5	10	60	40	M10	22	8.4	14	22	3780	4720	558
<b>TKD30UU</b>	30	35	43.5	87	79	60	5.5	12	8	14	57°	26	11.5	68	45	M10	22	8.4	14	26	5470	6810	860
<b>TKD40UU</b>	40	45	54	108	91	77	5	15	10	19.5	56°	26.5	14	86	58	M12	26	10.5	17.5	33	6590	8230	1490

1N $\approx$ 0.102kgf



# TKD-W TYPE

— Clearance Adjustable Double-Wide Open Block Type —  
(Metric Series)



part number	nom. shaft dia. mm	major dimensions											mounting dimensions							load rating		mass g		
		H	E	W	L	F	G	Z	A	N	T	R	θ	Y	B	C	M	K	S	P	J		dynamic C N	static Co N
		mm	mm	mm	mm	mm	mm	mm	mm	mm	mm	mm	mm	mm	mm	mm	mm	mm	mm	mm	mm		mm	mm
TKD12WUU	12	18	21.5	43	76	28	3.2	5	19.5	37	5	6.5	66°	7.5	32	56	M 5	11	4.3	8	11.5	1652	2580	190
TKD16WUU	16	22	26.5	53	84	35	3.2	6	21.5	41	5	9	68°	9.5	40	64	M 6	13	5.3	9.5	14	2025	3100	312
TKD20WUU	20	25	30	60	104	42	4	8	27	50	5	9	55°	9	45	76	M 8	18	6.6	11	18	3390	5260	505
TKD25WUU	25	30	39	78	130	51	5.5	10	33.5	63	7	11.5	57°	10	60	94	M10	22	8.4	14	22	6120	9440	1050
TKD30WUU	30	35	43.5	87	152	60	5.5	12	39.5	73	8	14	57°	11.5	68	106	M10	22	8.4	14	26	8860	13620	1630
TKD40WUU	40	45	54	108	176	77	5	15	45.5	85	10	19.5	56°	14	86	124	M12	26	10.5	17.5	33	10680	16460	2880

1N≒0.102kgf



PACIFIC INTERNATIONAL BEARING SALES, INC.  
800.228.8895 • WWW.PACIFICBEARINGSALES.COM