

Standard Type



PACIFIC INTERNATIONAL BEARING SALES, INC.
800.228.8895 • WWW.PACIFICBEARINGSALES.COM

■ TSK Heavy-Load, Standard Rail, HS-LR Series (Long Block Type)

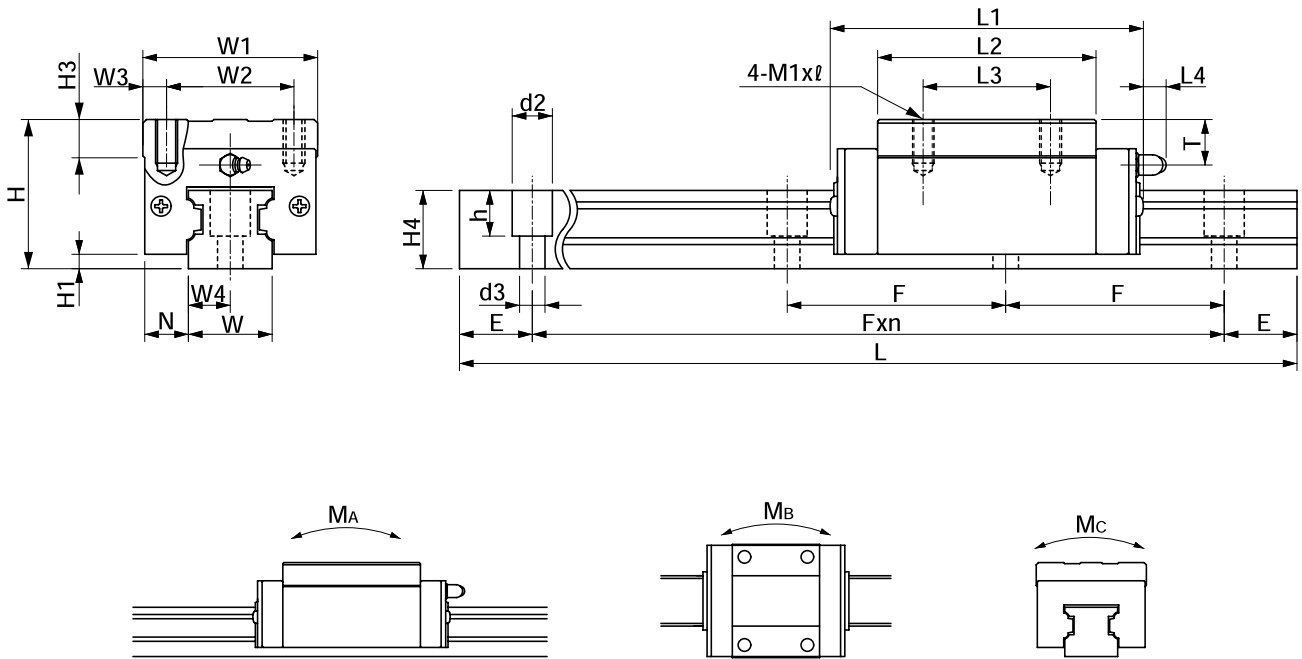


型式 Model No.	組込寸法 Mounting dimension			スライドユニット寸法 Slide unit dimension									
	H	H1	N	W1	W2	W3	L1	L2	L3	L4	H3	M1 x ℓ	T
HS25LR	40	6.5	12.5	48	35	6.5	108	83	50	12	8	M 6x 8	10
HS30LR	45	7	16	60	40	10	123	94	60	12	8	M 8x10	8.5
HS35LR	55	8	18	70	50	10	142	109	72	16	10	M 8x12	14.5
HS45LR	70	11	20.5	86	60	13	168	130	80	16	15	M10x17	18.5
HS55LR	80	14	23.5	100	75	12.5	192	156	95	16	18	M12x18	20
HS65LR	90	14	31.5	126	90	18	248	207	120	16	23	M16x20	18

Standard Type



PACIFIC INTERNATIONAL BEARING SALES, INC.
800.228.8895 • WWW.PACIFICBEARINGSALES.COM



単位 mm

軌道台寸法 Rail track dimension								基本定格荷重 Basic rated load		静定格トルク Rated static torque			質量 Weight	
W	W4	H4	d2	d3	h	E	F	C	Co	MA	MB	MC	スライド ユニット Slide Unit [kg]	軌道台 Track Unit [kg/m]
23	11.5	24	11	7	11	20	60	25190	40030	477	477	642	0.77	3.6
28	14	28	14	9	14	20	80	33480	51060	669	669	982	1.2	5.1
34	17	32	14	9	15	20	80	46500	71150	1130	1130	1640	2.0	7.3
45	22.5	42	20	14	21	22.5	105	71600	104200	1950	1950	3130	3.6	12.6
53	26.5	48	23	16	24	30	120	105600	150000	3370	3370	5310	6.6	17.1
63	31.5	58	26	18	25	35	150	177800	250100	7450	7450	10740	12.0	24.6