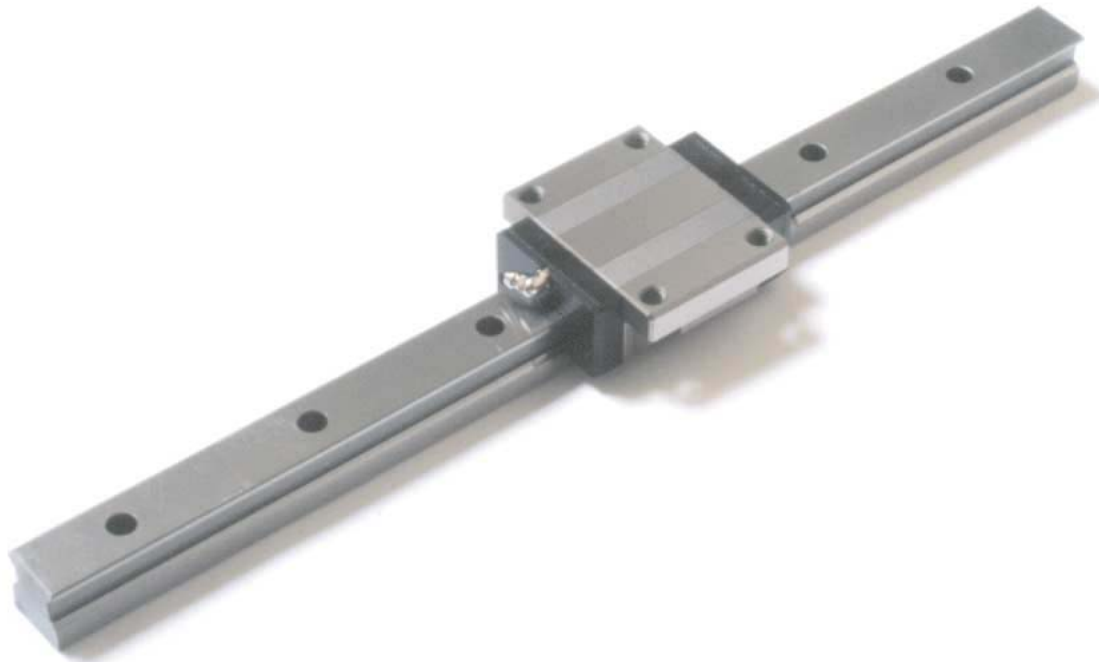


Standard Type



PACIFIC INTERNATIONAL BEARING SALES, INC.
800.228.8895 • WWW.PACIFICBEARINGSALES.COM

■ TSK Heavy-Load, Standard Rail, HS-LT Series (Long Block, Tap Hole Type)

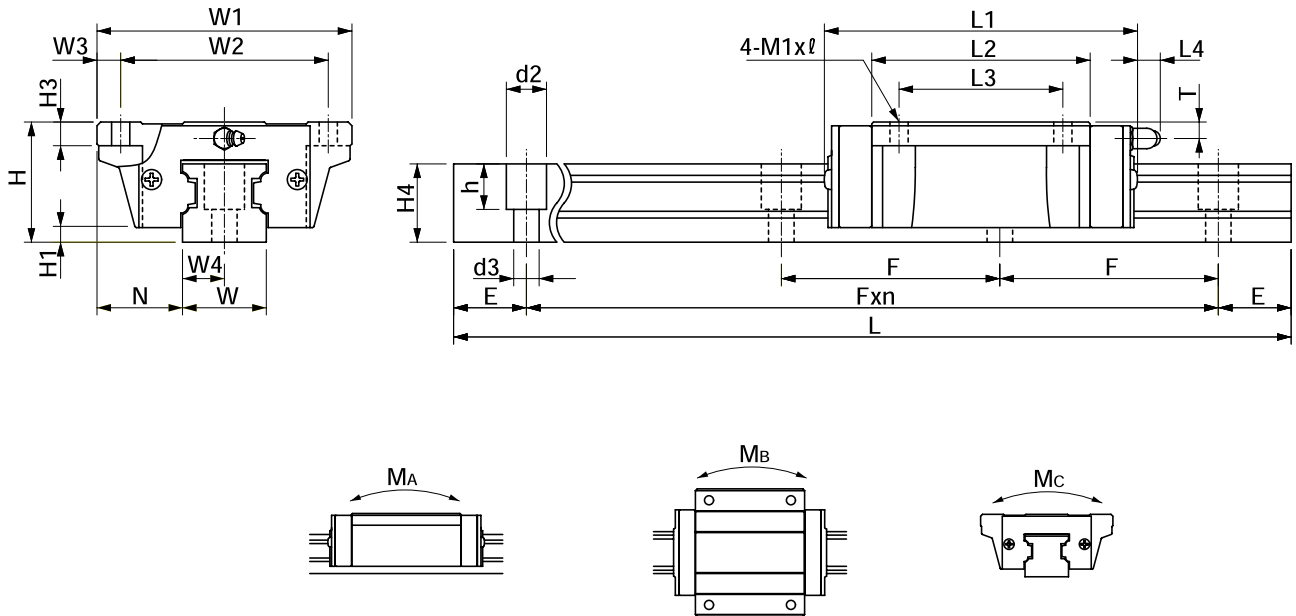


型式 Model No.	組込寸法 Mounting dimension			スライドユニット寸法 Slide unit dimension									
	H	H1	N	W1	W2	W3	L1	L2	L3	L4	H3	M 1 x ℓ	T
HS25LT	36	6.5	23.5	70	57	6.5	108	83	45	12	10	M 8x10	6
HS30LT	42	7	31	90	72	9	123	94	52	12	13	M10x13	5.5
HS35LT	48	8	33	100	82	9	142	109	62	12	13	M10x13	7.5
HS45LT	60	11	37.5	120	100	10	168	130	80	16	15	M12x15	8.5
HS55LT	70	14	43.5	140	116	12	192	156	95	16	17	M14x17	10
HS65LT	85	14	53.5	170	142	14	248	207	110	16	20	M16x20	13

Standard Type



PACIFIC INTERNATIONAL BEARING SALES, INC.
800.228.8895 • WWW.PACIFICBEARINGSALES.COM



単位 mm

軌道台寸法 Rail track dimension								基本定格荷重 Basic rated load [N]		静定格トルク Rated static torque [N・m]			質量 Weight	
W	W4	H4	d2	d3	h	E	F	C	Co	MA	MB	MC	スライド ユニット Slide Unit [kg]	軌道台 Track [kg/m]
23	11.5	24	11	7	11	20	60	25190	40030	477	477	642	0.9	3.6
28	14	28	14	9	14	20	80	33480	51060	669	669	982	1.5	5.1
34	17	32	14	9	15	20	80	46500	71150	1130	1130	1640	2.4	7.3
45	22.5	42	20	14	21	22.5	105	71600	104200	1950	1950	3130	3.7	12.6
53	26.5	48	23	16	24	30	120	105600	150000	3370	3370	5310	6.7	17.1
63	31.5	58	26	18	25	35	150	177800	250100	7450	7450	10740	15.0	24.6