



■ TSK Heavy-Load, Standard Rail, HS-T Series (Normal Block, Tap Hole Type)

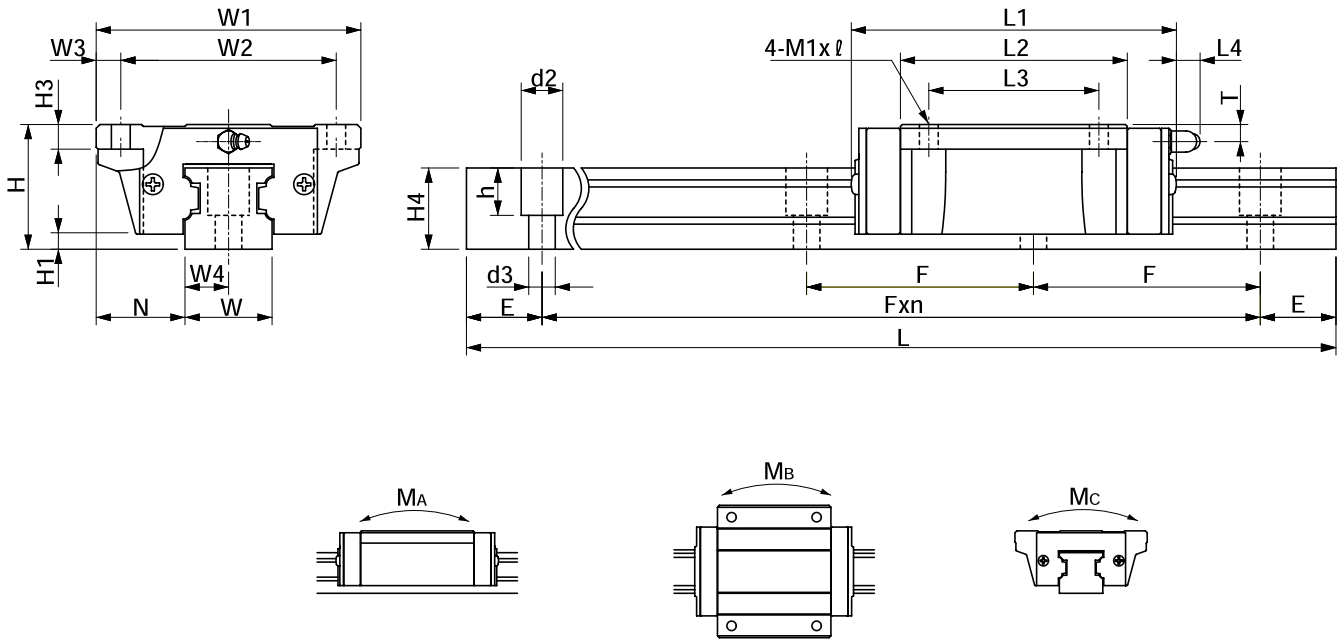


型式 Model No.	組込寸法 Mounting dimension			スライドユニット寸法 Slide unit dimension									
	H	H1	N	W1	W2	W3	L1	L2	L3	L4	H3	M 1 x ℓ	T
HS15T	24	4.6	16	47	38	4.5	59	38.5	30	0	7	M 5x 7	3.5
HS25T	36	6.5	23.5	70	57	6.5	84	59	45	12	10	M 8x10	6
HS30T	42	7	31	90	72	9	97	68	52	12	13	M10x13	5.5
HS35T	48	8	33	100	82	9	113	80	62	12	13	M10x13	7.5
HS45T	60	11	37.5	120	100	10	140	102	80	16	15	M12x15	8.5
HS55T	70	14	43.5	140	116	12	160	124	95	16	17	M14x17	10
HS65T	85	14	53.5	170	142	14	189	148	110	16	20	M16x20	13

Standard Type



PACIFIC INTERNATIONAL BEARING SALES, INC.
800.228.8895 • WWW.PACIFICBEARINGSALES.COM



単位 mm

軌道台寸法 Rail track dimension								基本定格荷重 Basic rated load [N]		静定格トルク Rated static torque [N・m]			質量 Weight	
W	W4	H4	d2	d3	h	E	F	C	Co	MA	MB	MC	スライド ユニット Slide Unit [kg]	軌道台 Track [kg/m]
15	7.5	17	7.5	4.5	7	20	60	8160	12220	69	69	129	0.19	1.7
23	11.5	24	11	7	11	20	60	19400	27520	234	234	441	0.64	3.6
28	14	28	14	9	14	20	80	26930	37440	372	372	720	1.1	5.1
34	17	32	14	9	15	20	80	35850	48910	556	556	1130	1.6	7.3
45	22.5	42	20	14	21	22.5	105	57760	76440	1080	1080	2300	2.7	12.6
53	26.5	48	23	16	24	30	120	90340	120000	2210	2210	4250	5.0	17.1
63	31.5	58	26	18	25	35	150	137000	171900	3660	3660	7380	10.0	24.6