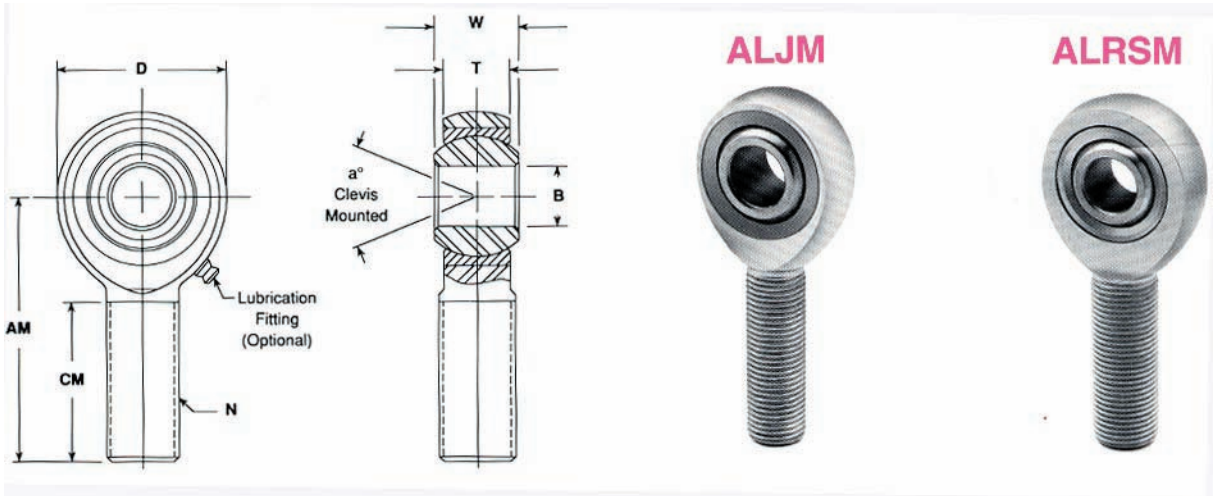


**ALJM and ALRSM**  
**ALUMINUM SERIES; EXTRA STRENGTH ALUMINUM, HEAVY DUTY SHANK**



**ALJM - ALUMINUM SERIES**

	BORE X THD. SIZE	B DIA.	D DIA.	W WIDTH	T WIDTH	BALL DIA.	AM LGTH	N THD.	CM LGTH	a° MIS. ANG.	ULT. STATIC RADIAL LOAD	APPROX. WEIGHT
PIBS P/N	REF.	+0.0015 -0.0005	+/-0.010	+0.000 -0.005	+/-0.005	REF.	+/-0.015	UNF 3A	+0.062 -0.031	REF.	LBS.	LBS.
ALJM 6	3/8 X 3/8-24	0.7500	1.000	0.500	0.406	0.719	1.938	3/8-24	1.250	19	4,208	0.078
ALJM 7	7/16 X 7/16-20	0.4375	1.125	0.562	0.437	0.812	2.125	7/16-20	1.375	14	4,534	0.091
ALJM 8	1/2 X 1/2-20	0.5000	1.312	0.625	0.500	0.937	2.438	1/2-20	1.500	12	7,698	0.122
ALJM 10	5/8 X 5/8-18	0.6250	1.500	0.750	0.562	1.125	2.625	5/8-18	1.625	16	8,516	0.131
ALJM 12	3/4 X 3/4-16	0.7500	1.750	0.875	0.687	1.312	2.875	3/4-16	1.750	14	13,319	0.200

**ALRSM - EXTRA STRENGTH ALUMINUM**

	BORE X THD. SIZE	B DIA.	D DIA.	W WIDTH	T WIDTH	BALL DIA.	AM LGTH	N THD.	CM LGTH	a° MIS. ANG.	ULT. STATIC RADIAL LOAD	APPROX. WEIGHT
PIBS P/N	REF.	+0.0015 -0.0005	+/-0.010	+0.000 -0.005	+/-0.005	REF.	+/-0.015	UNF 3A	+0.062 -0.031	REF.	LBS.	LBS.
ALRSM 6	3/8 X 7/16-20	0.3750	1.125	0.500	0.406	0.719	2.125	7/16-20	1.375	10	7,718	0.088
ALRSM 7	7/16 X 1/2-20	0.4375	1.312	0.562	0.437	0.812	2.438	1/2-20	1.500	12	11,168	0.121
ALRSM 8	1/2 X 5/8-18	0.5000	1.500	0.625	0.500	0.937	2.625	5/8-18	1.625	10	14,889	0.200
ALRSM 10	5/8 X 3/4-16	0.6250	1.750	0.750	0.562	1.125	2.875	3/4-16	1.750	13	19,243	0.317



**Pacific International Bearing, Inc.**  
 800.228.8895 • [www.pibsales.com](http://www.pibsales.com)