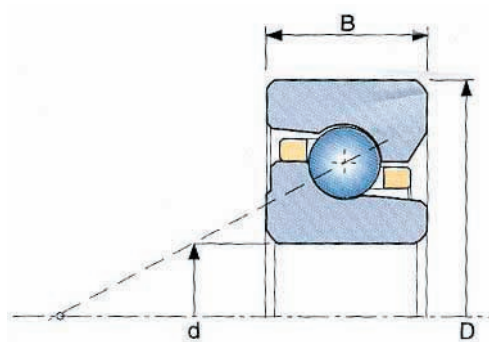


BS200 SERIES – ISO 02



BS PRECISION ABEC 7 ANGULAR CONTACT BEARINGS						
SNFA P/N	d	D	B	15° CONTACT ANGLE		RPM PAIRS
				C_{33}	C_0	
BS212-7P62DUL	12	32	10	945	1440	9,000
BS215-7P62DUL	15	35	11	1025	1760	8,000
BS217-7P62DUL	17	40	12	1365	2380	7,000
BS220-7P62DUL	20	47	14	1820	3380	6,000
BS225-7P62DUL	25	52	15	1937	3970	5,200
BS230-7P62DUL	30	62	16	2460	5400	4,400
BS235-7P62DUL	35	72	17	3055	7100	3,800
BS240-7P62DUL	40	80	18	3745	9100	3,400
BS245-7P62DUL	45	85	19	3785	9700	3,100
BS250-7P62DUL	50	90	20	3835	10300	2,900
BS260-7P62DUL	60	110	22	5805	15800	2,400
BS275-7P62DUL	75	130	25	6400	20200	2,000



**Pacific International
Bearing, Inc.**
800.228.8895 • www.pibsales.com