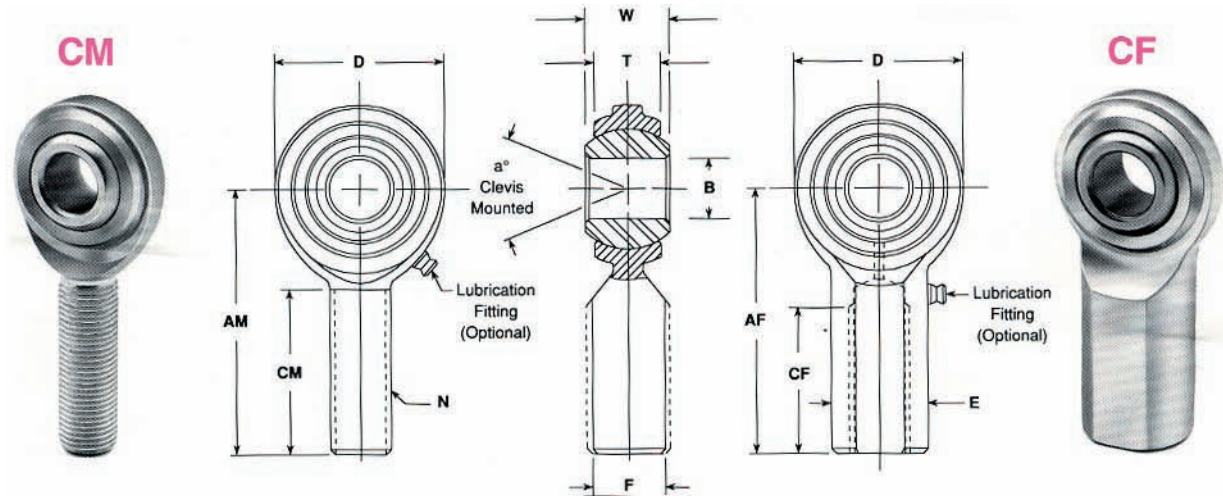


**CM, CF
ECONOMY SERIES**



PIBS P/N	BORE X THD. SIZE	B DIA.	D DIA.	W WIDTH	T WIDTH	BALL DIA.	AM LGTH	AF LGTH	N THD.	CM LGTH	CF LGTH	E DIA.	E FLAT	a° MIS. ANG.	ULT. STATIC RADIAL LOAD	APPROX. WEIGHT
	REF.	+0.0025 -0.0005	+/-0.010	+/-0.005	REF.	REF.	+/-0.015	+/-0.015	UNF 3A - 2B	+0.062 -0.031	+0.062 -0.031	+/-0.010	+/-0.010	REF.	LBS.	LBS.
CM 3	3/16 X 10-32	0.1900	0.625	0.312	0.234	0.437	1.250	1.062	10-32	0.750	0.500	0.406	0.312	17	1,204	0.03
CF 3															2,079	0.04
CM 4	1/4 X 1/4-28	0.2500	0.750	0.375	0.250	0.500	1.562	1.312	1/4-28	1.000	0.625	0.468	0.375	21	2,212	0.04
CF 4															3,208	0.05
CM 5	5/16 X 5/16-24	0.3125	0.875	0.437	0.312	0.625	1.875	1.375	5/16-24	1.250	0.625	0.500	0.437	17	3,577	0.07
CF 5															3,824	0.08
CM 6	3/8 X 3/8-24	0.3750	1.000	0.500	0.359	0.719	1.938	1.625	3/8-24	1.250	0.750	0.687	0.562	19	5,068	0.11
CF 6															5,087	0.13
CM 7	7/16 X 7/16-20	0.4375	1.125	0.562	0.406	0.812	2.125	1.812	7/16-20	1.375	0.875	0.750	0.625	18	6,345	0.15
CF 7															6,385	0.18
CM 8	1/2 X 1/2-20	0.5000	1.312	0.625	0.453	0.937	2.438	2.125	1/2-20	1.500	1.000	0.875	0.750	17	8,338	0.24
CF 8															9,096	0.29
CM 10	5/8 X 5/8-18	0.6250	1.500	0.750	0.484	1.125	2.625	2.500	5/8-18	1.625	1.250	1.000	0.875	22	9,713	0.36
CF 10																0.43
CM 12	3/4 X 3/4-16	0.7500	1.750	0.875	0.593	1.312	2.875	2.875	3/4-16	1.750	1.375	1.125	1.000	18	14,207	0.57
CF12																0.65