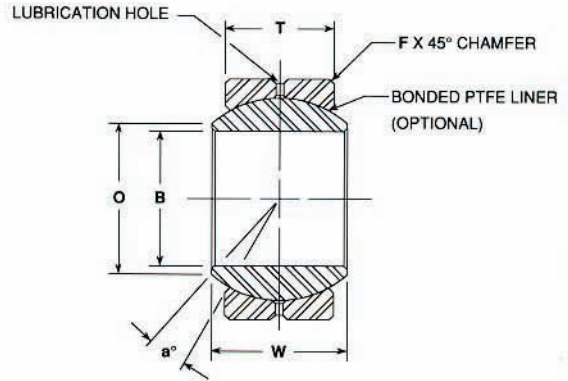
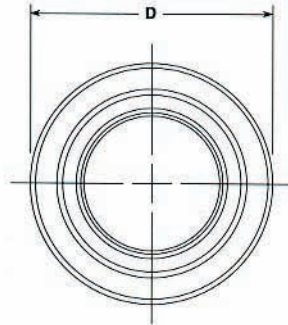


**COM/COMH
COMMERCIAL SERIES**

COM/COMH



PIBS P/N	BORE SIZE	B DIA.	D DIA.	W WIDTH	T WIDTH	O DIA.	BALL DIA.	F CHAMFER	a° MIS. ANG.	ULT. STATIC RADIAL LOAD	APPROX. WEIGHT
	REF.	+0.0015 -0.0005	+0.000 -0.0007	+/-0.005	+/-0.005	REF.	REF.	REF.	REF.	LBS.	LBS.
COM 3	3/16	0.1900	0.5625	0.281	0.218	0.293	0.406	0.015	11	3,250	0.014
COM 4	1/4	0.2500	0.6562	0.343	0.250	0.364	0.500	0.022	13.5	4,950	0.022
COM 5	5/16	0.3125	0.7500	0.375	0.281	0.419	0.562	0.032	12	6,475	0.030
COM 6	3/8	0.3750	0.8125	0.406	0.312	0.516	0.656	0.032	10	8,400	0.038
COM 7	7/16	0.4375	0.9062	0.437	0.343	0.530	0.687	0.032	8	9,453	0.047
COM 8	1/2	0.5000	1.0000	0.500	0.390	0.600	0.781	0.032	9.5	13,250	0.065
COM 9	9/16	0.5625	1.0937	0.562	0.437	0.671	0.875	0.032	9.5	16,630	0.086
COM 10	5/8	0.6250	1.1875	0.625	0.500	0.739	0.968	0.032	8.5	21,280	0.110
COM 12	3/4	0.7500	1.4375	0.750	0.593	0.920	1.187	0.044	9	31,920	0.204
COM 14	7/8	0.8750	1.5625	0.875	0.703	0.978	1.312	0.044	9.5	41,960	0.263
COM 16*	1	1.0000	1.7500	1.000	0.797	1.118	1.500	0.044	10	55,200	0.386
COMH 16*	1	1.0000	2.0000	1.000	0.781	1.360	1.687	0.032	9	70,820	0.553
COMH 19*	1-3/16	1.1900	2.3750	1.187	0.937	1.610	2.000	0.032	8.5	100,730	0.895
COMH 20*	1-1/4	1.2500	2.3750	1.187	0.937	1.610	2.000	0.032	8.5	100,730	0.895
COMH 24*	1-1/2	1.5000	2.7500	1.375	1.094	1.860	2.312	0.032	8.5	135,950	1.358
COMH 28*	1-3/4	1.7500	3.1250	1.562	1.250	2.110	2.625	0.044	8	176,370	1.948
COMH 32*	2	2.0000	3.5000	1.750	1.375	2.360	2.937	0.044	8.5	217,060	2.650

*BORE TOLERANCE: +.0025-.0005



**Pacific International
Bearing, Inc.**
800.228.8895 • www.pibsales.com