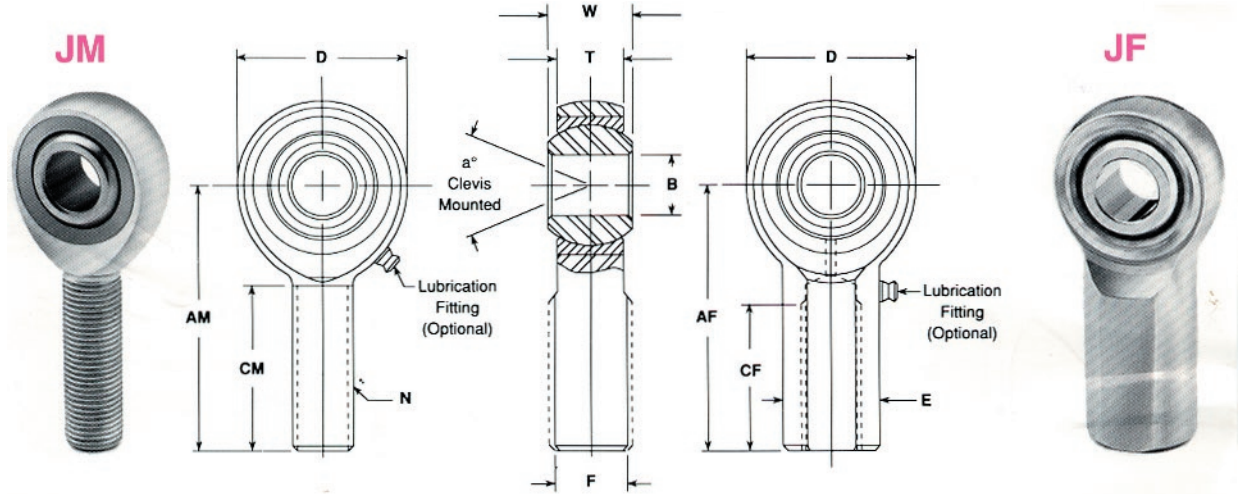


**JM, JF  
PRECISION - WEAR RESISTANT**



PIBS P/N	BORE X THD. SIZE	B DIA.	D DIA.	W WIDTH	T WIDTH	BALL DIA.	AM LGTH	AF LGTH	N THD.	CM LGTH	CF LGTH	E DIA.	E FLAT	a° MIS. ANG.	ULT. STATIC RADIAL LOAD	APPROX. WEIGHT
	REF.	+0.0015 -0.0005	+/-0.010	+0.000 -0.005	+/-0.005	REF.	+/-0.015	+/-0.015	UNF 3A - 2B	+0.062 -0.031	+0.062 -0.031	+/-0.010	+/-0.010	REF.	LBS.	LBS.
JM 2															502	0.013
JF 2	1/8 X 6/32	0.1250	0.500	0.250	0.187	0.312	0.937	0.812	6-32 UNC	0.562	0.437	0.312	0.250	16	1,202	0.019
JM 3															1,169	0.03
JF 3	3/16 X 10-32	0.1900	0.625	0.312	0.250	0.437	1.250	1.062	10-32	0.750	0.562	0.406	0.312	13	1,531	0.04
JM 4															2,158	0.04
JF 4	1/4 X 1/4-28	0.2500	0.750	0.375	0.281	0.500	1.562	1.312	1/4-28	1.000	0.750	0.469	0.375	16	2,539	0.06
JM 5															2,784	0.07
JF 5	5/16 X 5/16-24	0.3125	0.875	0.437	0.344	0.625	1.875	1.375	5/16-24	1.250	0.750	0.500	0.437	14	3,133	0.09
JM 6																0.11
JF 6	3/8 X 3/8-24	0.3750	1.000	0.500	0.406	0.719	1.938	1.625	3/8-24	1.250	0.937	0.687	0.562	12	3,915	0.15
JM 7																0.16
JF 7	7/16 X 7/16-20	0.4375	1.125	0.562	0.437	0.812	2.125	1.812	7/16-20	1.375	1.062	0.750	0.625	14	4,218	0.20
JM 8																0.25
JF 8	1/2 X 1/2-20	0.5000	1.312	0.625	0.500	0.937	2.438	2.125	1/2-20	1.500	1.187	0.875	0.750	12	6,660	0.33
JM 10																0.38
JF 10	5/8 X 5/8-18	0.6250	1.500	0.750	0.562	1.125	2.625	2.500	5/8-18	1.625	1.500	1.000	0.875	16	7,364	0.48
JM 12																0.60
JF 12	3/4 X 3/4-16	0.7500	1.750	0.875	0.687	1.312	2.875	2.875	3/4-16	1.750	1.750	1.250	1.000	14	11,518	0.72
JM 16																2.406
JF 16	1 X 1-1/4-12	1.0000	2.750	1.375	1.000	1.875	4.125	4.125	1-1/4-12	2.125	2.125	1.625	1.500	14	43,541	2.125
JM 16-1																2.127
JF 16-1	1 X 1-1/4	1.0000	2.750	1.375	1.000	1.875	4.125	4.125	1-1/4	2.125	2.125	1.625	1.500	14	43,541	2.410
JM 16-2																2.127
JF 16-2	1 X 1-1/2	1.0000	2.750	1.375	1.000	1.875	4.125	4.125	1-1/2	2.125	2.125	1.625	1.500	14	43,541	2.410