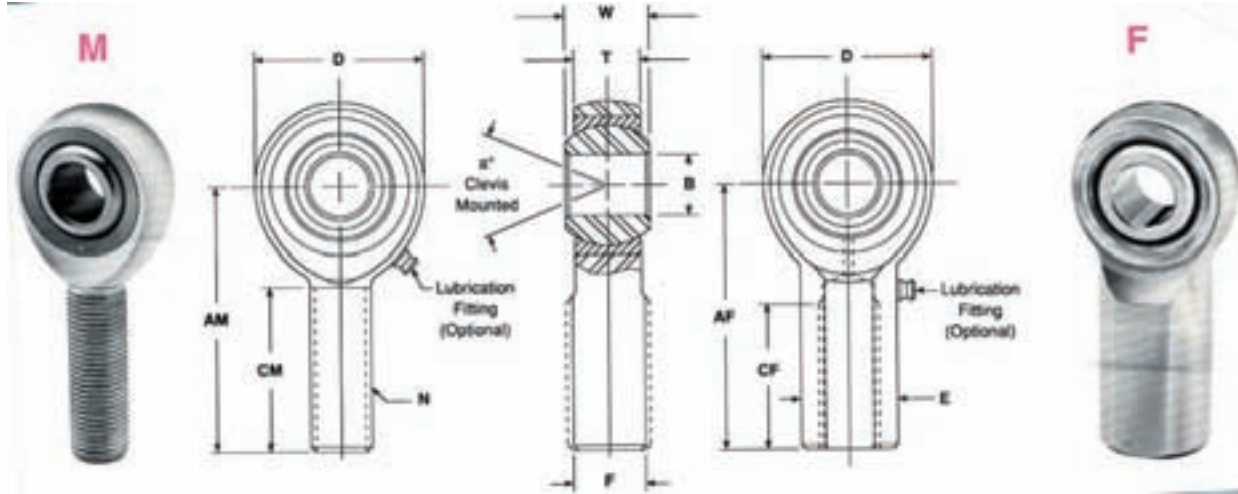


**M/F
PRECISION - BRASS**



PIBS P/N	BORE X THD. SIZE	B DIA.	D DIA.	W WIDTH	T WIDTH	BALL DIA.	AM LGTH	AF LGTH	N THD.	CM LGTH	CF LGTH	E DIA.	E FLAT	a° MIS. ANG.	ULT. STATIC RADIAL LOAD	APPROX. WEIGHT
	REF.	+0.0015 -0.0005	+/-0.010	+0.000 -0.005	+/-0.005	REF.	+/-0.015	+/-0.015	UNF 3A - 2B	+0.062 -0.031	+0.062 -0.031	+/-0.010	+/-0.010	REF.	LBS.	LBS.
M 2-1															650	
F 2-1	5/32 X 8-32	0.1562	0.562	0.281	0.219	0.375	1.125	0.875	8-32	0.625	0.375	-	0.281	14	1,700	0.02
M 3															900	0.03
F 3	3/16 X 10-32	0.1900	0.625	0.312	0.250	0.437	1.250	1.062	10-32	0.750	0.562	0.406	0.312	13	1,850	0.04
M 4															1,700	0.04
F 4	1/4 X 1/4-28	0.2500	0.750	0.375	0.281	0.500	1.562	1.312	1/4-28	1.000	0.750	0.469	0.375	16	2,700	0.06
M 5															2,500	0.07
F 5	5/16 X 5/16-24	0.3125	0.875	0.437	0.344	0.625	1.875	1.375	5/16-24	1.250	0.750	0.500	0.437	14	3,350	0.09
M 6															4,000	0.11
F 6	3/8 X 3/8-24	0.3750	1.000	0.500	0.406	0.719	1.938	1.625	3/8-24	1.250	0.937	0.687	0.562	12	4,450	0.15
M 7															5,000	0.16
F 7	7/16 X 7/16-20	0.4375	1.125	0.562	0.437	0.812	2.125	1.812	7/16-20	1.375	1.062	0.750	0.625	14	5,350	0.20
M 8															7,000	0.25
F 8	1/2 X 1/2-20	0.5000	1.312	0.625	0.500	0.937	2.438	2.125	1/2-20	1.500	1.187	0.875	0.750	12	7,400	0.33
M 10																0.38
F 10	5/8 X 5/8-18	0.6250	1.500	0.750	0.562	1.125	2.625	2.500	5/8-18	1.625	1.500	1.000	0.875	16	8,050	0.48
M 12																0.60
F 12	3/4 X 3/4-16	0.7500	1.750	0.875	0.687	1.312	2.875	2.875	3/4-16	1.750	1.750	1.125	1.000	14	11,300	0.72



**Pacific International
Bearing, Inc.**
800.228.8895 • www.pibsales.com