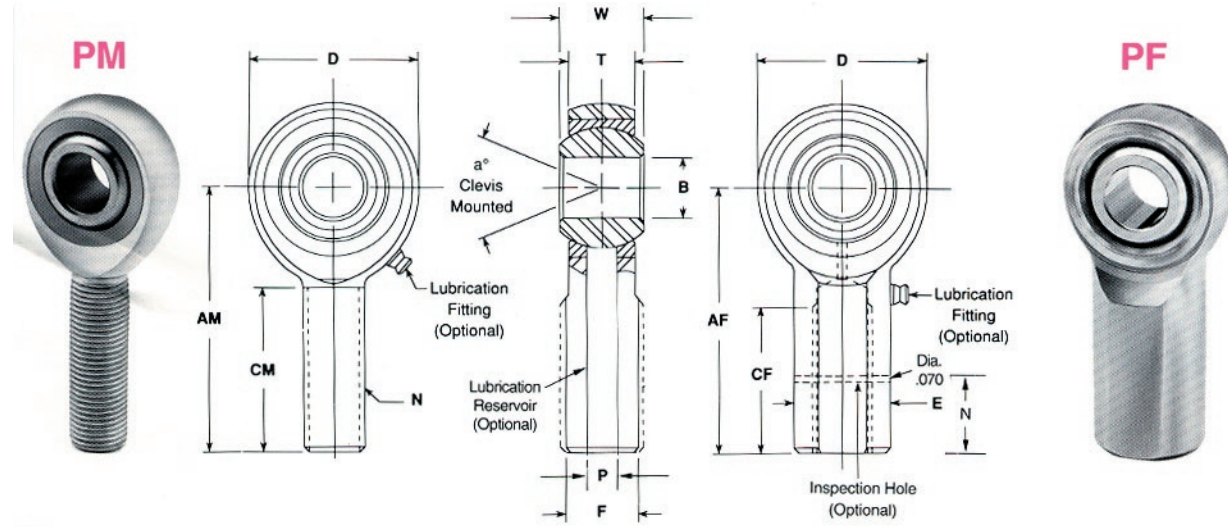


**PM, PF
SPECIAL PURPOSE SERIES**



PIBS P/N	B DIA.	D DIA.	W WIDTH	T WIDTH	AM LGTH	AF LGTH	N THD.	CM LGTH	CF LGTH	E DIA.	E FLAT	N	P DIA.	ULT. STATIC RADIAL LOAD	APPROX. WEIGHT
	+0.0015 -0.0005	+/-0.010	+0.000 -0.005	+/-0.005	+/-0.015	+/-0.015	UNF 3A - 2B	+0.062 -0.031	+0.062 -0.031	+/-0.010	+/-0.010	REF.	REF.	LBS.	LBS.
PM 3-4	0.1900	0.750	0.437	0.328	1.560	1.375	1/4-28	1.000	0.750	0.468	0.375	0.312	-	1,700	0.05
PF 3-4							5/16-24						-	2,850	0.06
PM 3-5	0.1900	0.750	0.437	0.328	1.375	1.062	1/4-28	0.750	0.437	0.375	0.375	-	#33	2,150	0.07
PF 3-5							3/8-24						#33	2,850	0.05
PM 3-6	0.1900	0.812	0.500	0.375	1.375	1.375	1/4-28	0.750	0.750	0.468	0.375	0.312	#33	2,850	0.07
PF 3-6							3/8-24						#33	2,750	0.08
PM 3-7	0.1900	0.750	0.500	0.375	1.812	1.375	5/16-24	1.062	0.750	0.500	0.438	0.312	#29	2,750	0.08
PF 3-7							5/16-24						#29	2,850	0.07
PM 4-4	0.2500	0.812	0.437	0.304	1.562	1.375	1/4-28	1.000	0.750	0.468	0.375	0.312	-	1,700	0.06
PF 4-4							3/8-24						-	2,950	0.07
PM 4-5	0.2500	0.875	0.484	0.335	2.312	1.469	5/16-24	1.500	0.750	0.500	0.438	0.312	#29	3,150	0.10
PF 4-5							3/8-24						#29	3,700	0.11
PM 4-6	0.2500	1.000	0.593	0.406	2.062	1.750	5/16-24	1.500	0.750	0.500	0.438	0.312	#21	2,750	0.09
PF 4-6							3/8-24						#21	2,500	0.15