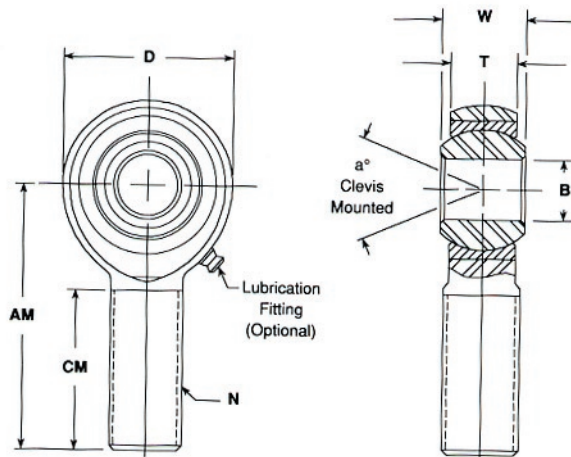


RSM EXTRA STRENGTH - HEAVY DUTY SHANK



	BORE X THD. SIZE	B DIA.	D DIA.	W WIDTH	T WIDTH	BALL DIA.	AM LGTH	N THD.	CM LGTH	a° MIS. ANG.	ULT. STATIC RADIAL LOAD	APPROX. WEIGHT
PIBS P/N	REF.	+0.0015 -0.0005	+/-0.010	+0.000 -0.005	+/-0.005	REF.	+/-0.015	UNF 3A	+0.062 -0.031	REF.	LBS.	LBS.
RSM 3	3/16 X 1/4-28	0.1900	0.750	0.312	0.250	0.437	1.562	1/4-28	1.000	10	2,158	0.043
RSM 4	1/4 X 5/16-24	0.2500	0.875	0.375	0.281	0.500	1.875	5/16-24	1.250	13	3,467	0.072
RSM 5	5/16 X 3/8-24	0.3125	1.000	0.437	0.344	0.625	1.938	3/8-24	1.250	12	5,323	0.112
RSM 6	3/8 X 7/16-20	0.3750	1.125	0.500	0.406	0.719	2.125	7/16-20	1.375	10	7,180	0.160
RSM 7	7/16 X 1/2-20	0.4375	1.312	0.562	0.437	0.812	2.438	1/2-20	1.500	12	9,620	0.249
RSM 8	1/2 X 5/8-18	0.5000	1.500	0.625	0.500	0.937	2.625	5/8-18	1.625	10	12,807	0.382
RSM 10	5/8 X 3/4-16	0.6250	1.750	0.750	0.562	1.125	2.875	3/4-16	1.750	13	16,565	0.602