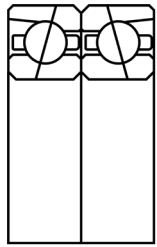
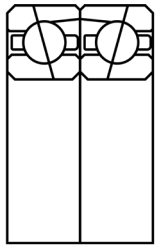


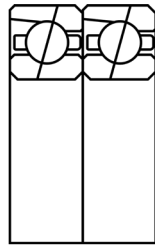
### Bearing Arrangement Options:



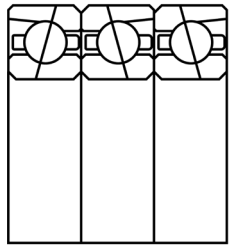
DB



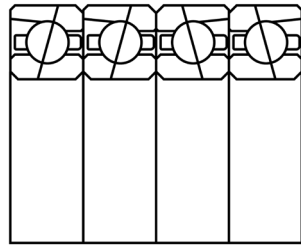
DF



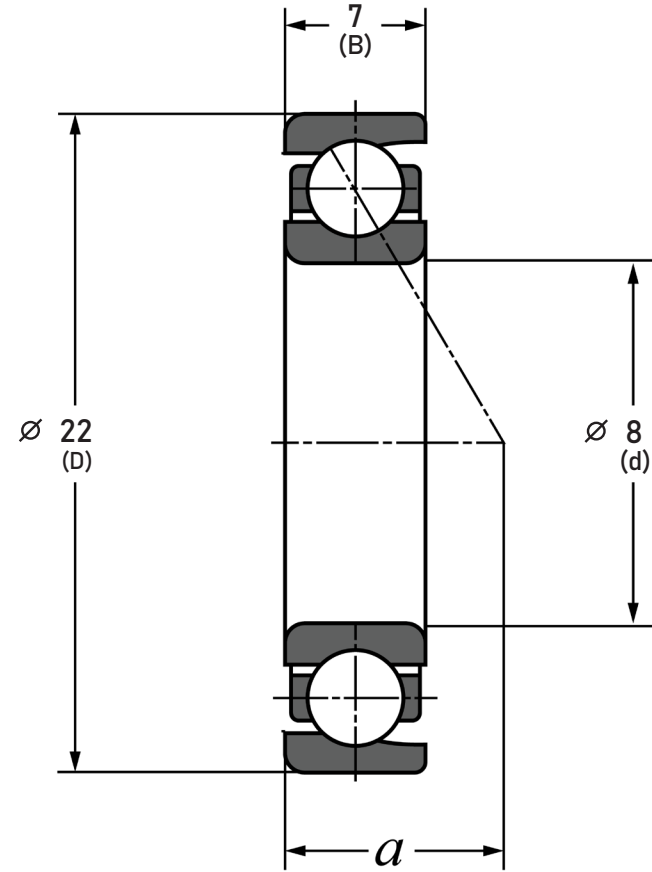
DT



DBT



DTBT



Contact Angle	15° Contact Angle
Bearing Arrangement	Pair - Universal Matched
Precision	P4
Ring Material	SUJ2 Steel
Ball Material	Ceramic Si3N4
Preload	Normal Preload
Dynamic Load(Cr)	0.787 lbs
Static Load(C0r)	0.337 lbs
Speed Rating Grease	10000 rpm
Speed Rating Oil	15300 rpm

COMPONENT	SUPER PRECISION ANGULAR CONTACT
-----------	---------------------------------



Pacific International Bearing, Inc.  
 33258 Central Ave, Union City, CA 94587  
 1-800-228-8895, 510-512-7000,  
 info@pibsales.com  
 www.pibsales.com  
 www.pibsales.store

This file and any associated information and specifications are provided for reference and evaluation purposes only, and is subject to change without notice. PIB makes no representations, warranties or guarantees as to the appropriateness, accuracy, completeness, or suitability for any purpose, of the file, information or specifications. You are solely responsible for the use of the file, information or specifications.

<b>5S1-708CD2G/GNP4</b> <b>TPI</b> 8 mm x 22 mm x 7 mm, Angular Contact Bearing, 15° Contact Angle, Pair - Universal Matched	UNIT
	mm
	SHEET