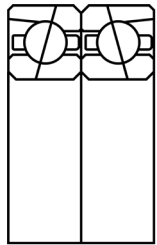
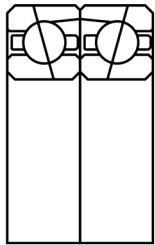


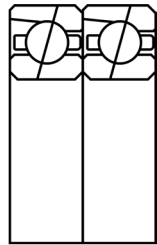
Bearing Arrangement Options:



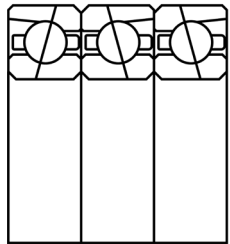
DB



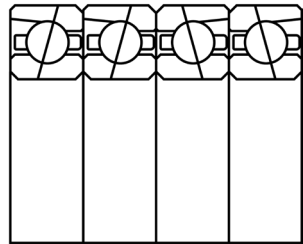
DF



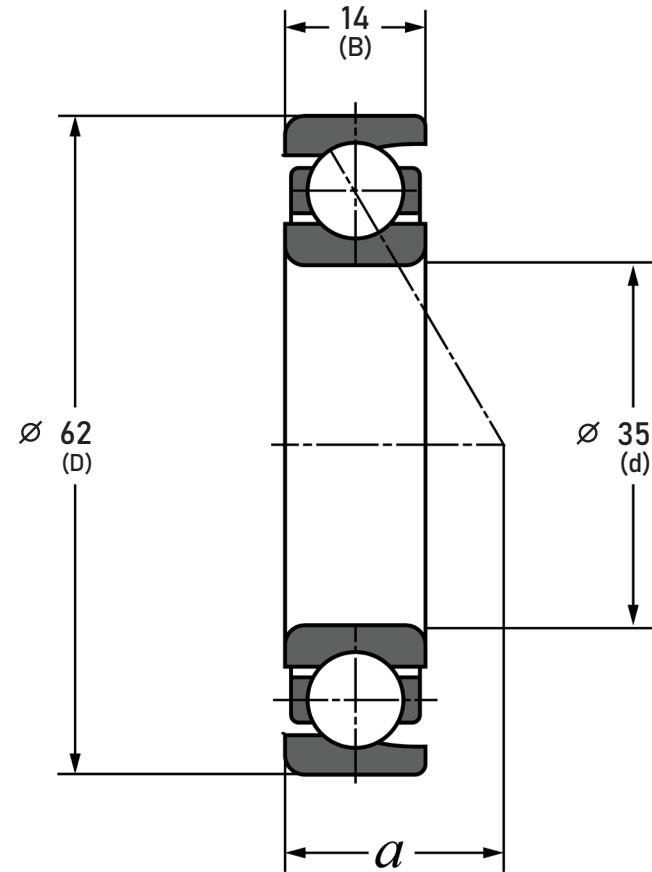
DT



DBT



DTBT



| | |
|---------------------|--------------------------|
| Contact Angle | 18° Contact Angle |
| Bearing Arrangement | Pair - Universal Matched |
| Precision | |
| Ring Material | SUJ2 Steel |
| Ball Material | Ceramic Si3N4 |
| Preload | |
| Dynamic Load(Cr) | 2.90 lbs |
| Static Load(C0r) | 2.86 lbs |
| Speed Rating Grease | 29900 rpm |
| Speed Rating Oil | 46100 rpm |

| | |
|-----------|---------------------------------|
| COMPONENT | SUPER PRECISION ANGULAR CONTACT |
|-----------|---------------------------------|



Pacific International Bearing, Inc.
 33258 Central Ave, Union City, CA 94587
 1-800-228-8895, 510-512-7000,
 info@pibsales.com
 www.pibsales.com
 www.pibsales.store

This file and any associated information and specifications are provided for reference and evaluation purposes only, and is subject to change without notice. PIB makes no representations, warranties or guarantees as to the appropriateness, accuracy, completeness, or suitability for any purpose, of the file, information or specifications. You are solely responsible for the use of the file, information or specifications.

| | |
|--|-------|
| 5S1-HS007CE1T1LLBD2G TPI 35 mm x 62 mm x 14 mm, Angular Contact Bearing, 18° Contact Angle, Pair - Universal Matched | UNIT |
| | mm |
| | SHEET |