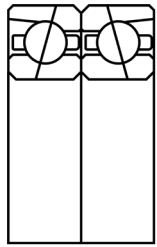
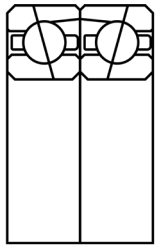


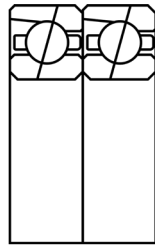
Bearing Arrangement Options:



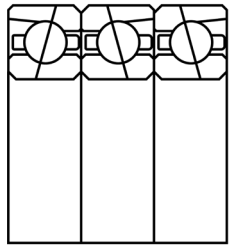
DB



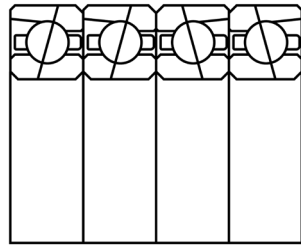
DF



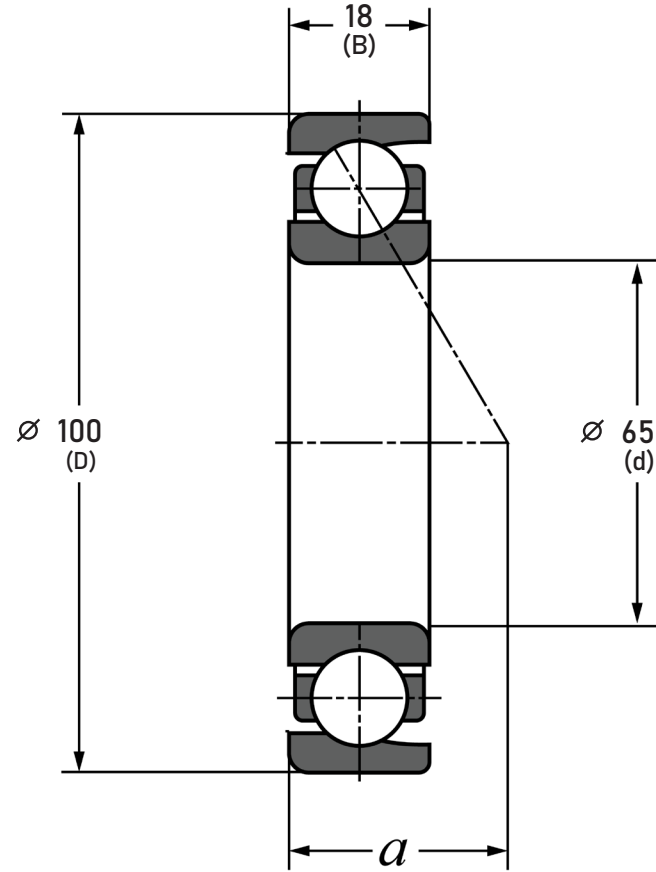
DT



DBT



DTBT



Contact Angle	18° Contact Angle
Bearing Arrangement	Single - Universal Matched
Precision	P42
Ring Material	SUJ2 Steel
Ball Material	Ceramic Si3N4
Preload	Light Preload
Dynamic Load(Cr)	5.10 lbs
Static Load(C0r)	6.61 lbs
Speed Rating Grease	16800 rpm
Speed Rating Oil	25800 rpm

COMPONENT	SUPER PRECISION ANGULAR CONTACT	
5S1-HS013CE1T1G TPI 65 mm x 100 mm x 18 mm, Angular Contact Bearing, 18° Contact Angle, Single - Universal Matched	UNIT	
	mm	
	SHEET	



Pacific International Bearing, Inc.
 33258 Central Ave, Union City, CA 94587
 1-800-228-8895, 510-512-7000,
 info@pibsales.com
 www.pibsales.com
 www.pibsales.store

This file and any associated information and specifications are provided for reference and evaluation purposes only, and is subject to change without notice. PIB makes no representations, warranties or guarantees as to the appropriateness, accuracy, completeness, or suitability for any purpose, of the file, information or specifications. You are solely responsible for the use of the file, information or specifications.