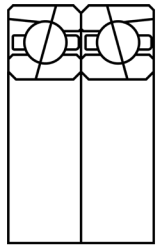
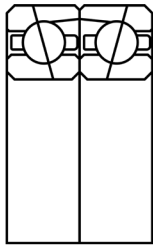


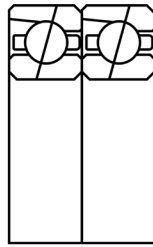
Bearing Arrangement Options:



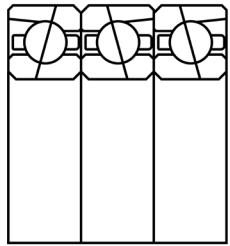
DB



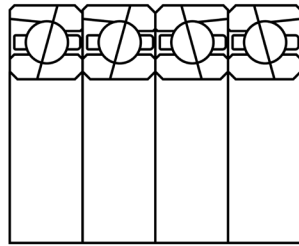
DF



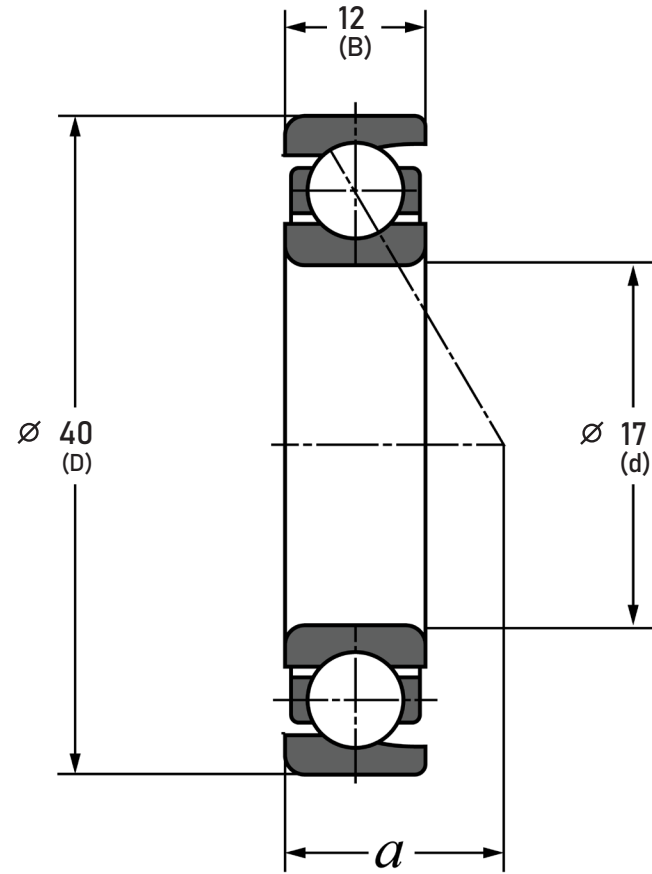
DT



DBT



DTBT



| | |
|---------------------|-------------------|
| Contact Angle | 15° Contact Angle |
| Bearing Arrangement | |
| Precision | P4X |
| Ring Material | SUJ2 Steel |
| Ball Material | SUJ2 Steel |
| Preload | Light Preload |
| Dynamic Load(Cr) | 2.50 lbs |
| Static Load(C0r) | 1.29 lbs |
| Speed Rating Grease | 30500 rpm |
| Speed Rating Oil | 39600 rpm |

| | |
|-----------|---------------------------------|
| COMPONENT | SUPER PRECISION ANGULAR CONTACT |
|-----------|---------------------------------|



Pacific International Bearing, Inc.
 33258 Central Ave, Union City, CA 94587
 1-800-228-8895, 510-512-7000,
 info@pibsales.com
 www.pibsales.com
 www.pibsales.store

This file and any associated information and specifications are provided for reference and evaluation purposes only, and is subject to change without notice. PIB makes no representations, warranties or guarantees as to the appropriateness, accuracy, completeness, or suitability for any purpose, of the file, information or specifications. You are solely responsible for the use of the file, information or specifications.

| | |
|---|-------|
| 7203CD2G-GLP4X/15K TPI 17 mm x 40 mm x 12 mm, Angular Contact Bearing, 15° Contact Angle | UNIT |
| | mm |
| | SHEET |