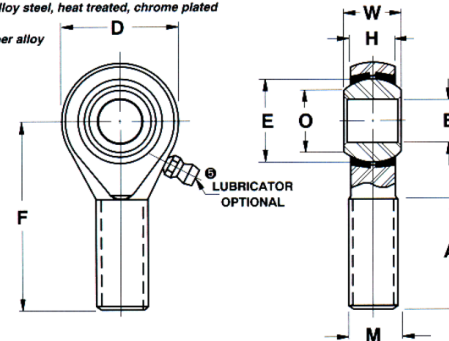




Ball: 52100 Alloy steel, heat treated, chrome plated

Inserts: Copper alloy



| | |
|----------------------|------------|
| Bore Diameter (d) | .3750 in |
| Outside Diameter (D) | 1.0000 in |
| Width (B) | .5000 in |
| Outer Eye Diameter | .4060 in |
| Static Load(C0r) | RBC |
| Thread Direction | Right Hand |
| Thread Type | Male |



Pacific International Bearing, Inc.
 33258 Central Ave, Union City, CA 94587
 1-800-228-8895, 510-512-7000,
 info@pibsales.com
 www.pibsales.com

This file and any associated information and specifications are provided for reference and evaluation purposes only, and is subject to change without notice. PIB makes no representations, warranties or guarantees as to the appropriateness, accuracy, completeness, or suitability for any purpose, of the file, information or specifications. You are solely responsible for the use of the file, information or specifications.

| COMPONENT | Rod End | |
|--|---------|--|
| ARE6 0.3750in X 1.0000in X 0.5000in, Male Spherical Plain Rod End, 4 Piece - Metal-to-metal, Rbc Spherco - Standard Series, Right Handed, Brass Insert | UNIT | |
| | Inch | |
| | SHEET | |