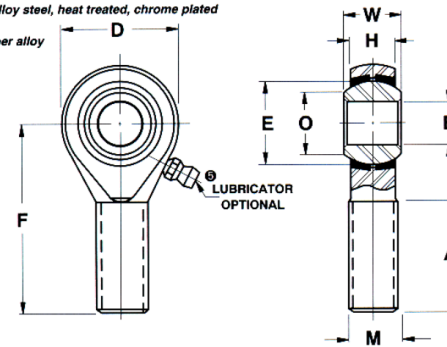




Width (B)	.5000 in
Outer Eye Diameter	.4060 in
Brand	RBC

*Ball: 52100 Alloy steel, heat treated, chrome plated*  
*Inserts: Copper alloy*



COMPONENT

Rod End



**Pacific International Bearing, Inc.**  
33258 Central Ave, Union City, CA 94587  
1-800-228-8895, 510-512-7000,  
info@pibsales.com  
www.pibsales.com

This file and any associated information and specifications are provided for reference and evaluation purposes only, and is subject to change without notice. PIB makes no representations, warranties or guarantees as to the appropriateness, accuracy, completeness, or suitability for any purpose, of the file, information or specifications. You are solely responsible for the use of the file, information or specifications.

**ARE6N  
RBC**

UNIT

INCH

SHEET