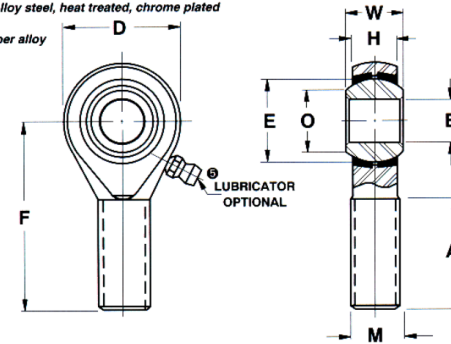




Ball: 52100 Alloy steel, heat treated, chrome plated

Inserts: Copper alloy



Width (B)	.6250 in
Outer Eye Diameter	.5000 in
Brand	RBC
Bore Diameter (d)	.5000 in
Thread Direction	Right Hand
Thread Type	Male
O.D. (D)	1.3120 in

COMPONENT	Rod End	
ARE820 RBC	UNIT	
	INCH	
	SHEET	



Pacific International Bearing, Inc.
 33258 Central Ave, Union City, CA 94587
 1-800-228-8895, 510-512-7000,
 info@pibsales.com
 www.pibsales.com

This file and any associated information and specifications are provided for reference and evaluation purposes only, and is subject to change without notice. PIB makes no representations, warranties or guarantees as to the appropriateness, accuracy, completeness, or suitability for any purpose, of the file, information or specifications. You are solely responsible for the use of the file, information or specifications.