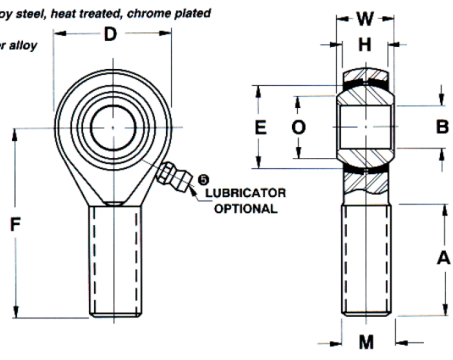


Ball: 52100 Alloy steel, heat treated, chrome plated
Inserts: Copper alloy



Width (B)	.3750 in
Outer Eye Diameter	.2810 in
Brand	RBC

COMPONENT		Rod End	
AREL4 RBC		UNIT	
		INCH	
		SHEET	



Pacific International Bearing, Inc.
 33258 Central Ave, Union City, CA 94587
 1-800-228-8895, 510-512-7000,
 info@pibsales.com
 www.pibsales.com

This file and any associated information and specifications are provided for reference and evaluation purposes only, and is subject to change without notice. PIB makes no representations, warranties or guarantees as to the appropriateness, accuracy, completeness, or suitability for any purpose, of the file, information or specifications. You are solely responsible for the use of the file, information or specifications.