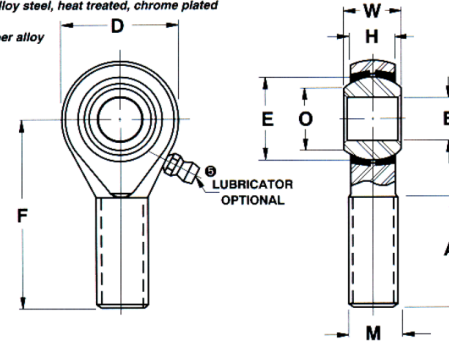




Ball: 52100 Alloy steel, heat treated, chrome plated

Inserts: Copper alloy



| | |
|----------------------|-------------|
| Bore Diameter (d) | .5000 in |
| Outside Diameter (D) | 1.3120 in |
| Width (B) | .6250 in |
| Outer Eye Diameter | .5000 in |
| Static Load(C0r) | RBC |
| Thread Direction | Left Handed |
| Thread Type | Male |

COMPONENT

Rod End



Pacific International Bearing, Inc.
 33258 Central Ave, Union City, CA 94587
 1-800-228-8895, 510-512-7000,
 info@pibsales.com
 www.pibsales.com

This file and any associated information and specifications are provided for reference and evaluation purposes only, and is subject to change without notice. PIB makes no representations, warranties or guarantees as to the appropriateness, accuracy, completeness, or suitability for any purpose, of the file, information or specifications. You are solely responsible for the use of the file, information or specifications.

AREL8N

0.5000in X 1.3120in X 0.6250in, Male
 Spherical Plain Rod End, 4 Piece - Metal-
 to-metal, Rbc Spherco - Standard Series,
 Left Handed, Brass Insert

UNIT

Inch

SHEET