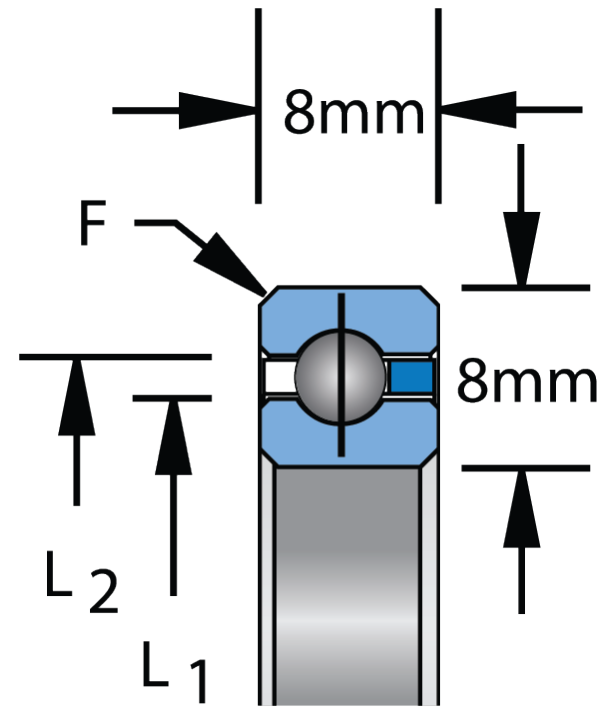




Width (B)	8 mm
Closure	Open
Brand	KAYDON
L1	56.55 mm
L2	59.42 mm



$$F = 0.8^6$$

COMPONENT	Precisions Thin Section
J05008CP0 KAYDON 50mm X 66mm X 8mm, Thin Section Bearing, Radial Contact Type-c, Reali- slim Metric Series, 8mm Series	UNIT
	Metric
	SHEET



Pacific International Bearing, Inc.
33258 Central Ave, Union City, CA 94587
1-800-228-8895, 510-512-7000,
info@pibsales.com
www.pibsales.com

This file and any associated information and specifications are provided for reference and evaluation purposes only, and is subject to change without notice. PIB makes no representations, warranties or guarantees as to the appropriateness, accuracy, completeness, or suitability for any purpose, of the file, information or specifications. You are solely responsible for the use of the file, information or specifications.