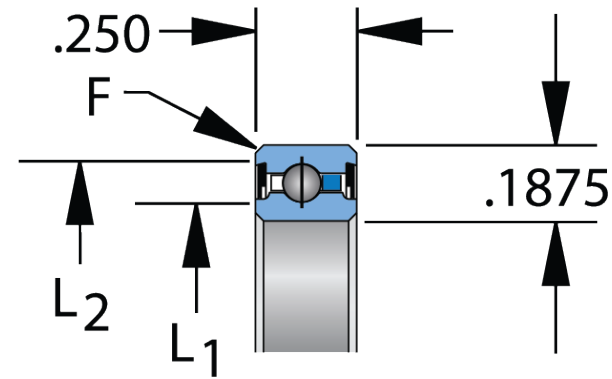




3/32" balls



$$F = .015^6$$

|                      |                          |
|----------------------|--------------------------|
| Bore Diameter (d)    | 1.000 in                 |
| Outside Diameter (D) | 1.375 in                 |
| Width (B)            | 0.188 in                 |
| Closure              | Seal or Shield Available |
| Ring Material        | 52100 Chrome Steel       |
| Ball Material        | 52100 Chrome Steel       |
| Brand                | KAYDON                   |
| L1                   | 1.108 in                 |
| L2                   | 1.274 in                 |

|           |                        |
|-----------|------------------------|
| COMPONENT | Precision Thin Section |
|-----------|------------------------|



Pacific International Bearing, Inc.  
 33258 Central Ave, Union City, CA 94587  
 1-800-228-8895, 510-512-7000,  
 info@pibsales.com  
 www.pibsales.com

This file and any associated information and specifications are provided for reference and evaluation purposes only, and is subject to change without notice. PIB makes no representations, warranties or guarantees as to the appropriateness, accuracy, completeness, or suitability for any purpose, of the file, information or specifications. You are solely responsible for the use of the file, information or specifications.

|   |       |
|---|-------|
| <b>JHA10CLO</b><br>KAYDON<br>1in X 1.375in X .188in, Thin Section Bearing,<br>Radial Contact Type-c, Sealed Reali-slim,<br>Also Avail. In Stainless Steel | UNIT  |
|   | INCH  |
|   | SHEET |