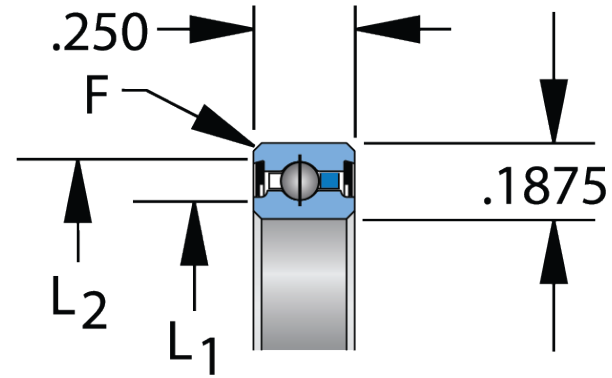




3/32" balls



$F = .015^6$

| | |
|----------------------|--------------------------|
| Bore Diameter (d) | 1.500 in |
| Outside Diameter (D) | 1.875 in |
| Width (B) | 0.188 in |
| Closure | Seal or Shield Available |
| Ring Material | 52100 Chrome Steel |
| Ball Material | 52100 Chrome Steel |
| Brand | KAYDON |
| L1 | 1.608 in |
| L2 | 1.774 in |



Pacific International Bearing, Inc.
 33258 Central Ave, Union City, CA 94587
 1-800-228-8895, 510-512-7000,
 info@pibsales.com
 www.pibsales.com

This file and any associated information and specifications are provided for reference and evaluation purposes only, and is subject to change without notice. PIB makes no representations, warranties or guarantees as to the appropriateness, accuracy, completeness, or suitability for any purpose, of the file, information or specifications. You are solely responsible for the use of the file, information or specifications.

| COMPONENT | Precision Thin Section |
|--|------------------------|
| JHA15CLO KAYDON 1.5in X 1.875in X .188in, Thin Section Bearing, Radial Contact Type-c, Sealed Reali-slim, Also Avail. In Stainless Steel | UNIT |
| | INCH |
| | SHEET |