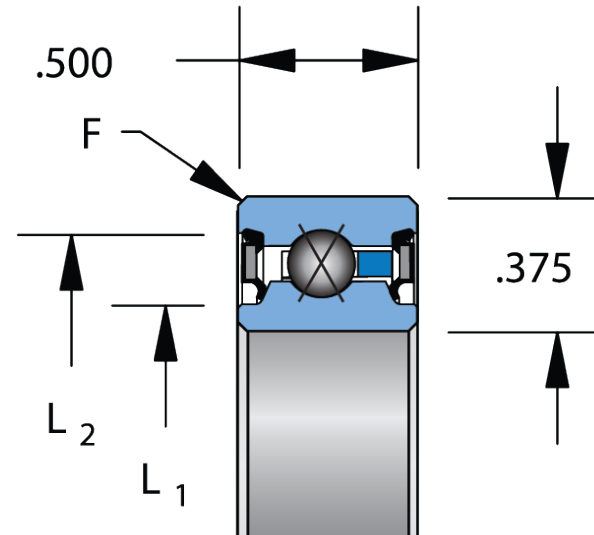




3/16 " balls



$$F = .015^5$$

Bore Diameter (d)	4.250 in
O.D. (D)	5.000 in
Width (B)	0.375 in
Brand	KAYDON
Closure	Seal or Shield Available
L1	4.400 in
L2	4.793 in
Ball Material	52100 Chrome Steel
Ring Material	52100 Chrome Steel

COMPONENT	Precisions Thin Section
<b>JU042XP0</b> <b>KAYDON</b> 4.25in X 5in X .375in, Thin Section Bearing, Radial Contact Type-c, Sealed Reali-slim, Also Avail. In Stainless Steel	UNIT
	Inch
	SHEET



Pacific International Bearing, Inc.  
 33258 Central Ave, Union City, CA 94587  
 1-800-228-8895, 510-512-7000,  
 info@pibsales.com  
 www.pibsales.com

This file and any associated information and specifications are provided for reference and evaluation purposes only, and is subject to change without notice. PIB makes no representations, warranties or guarantees as to the appropriateness, accuracy, completeness, or suitability for any purpose, of the file, information or specifications. You are solely responsible for the use of the file, information or specifications.