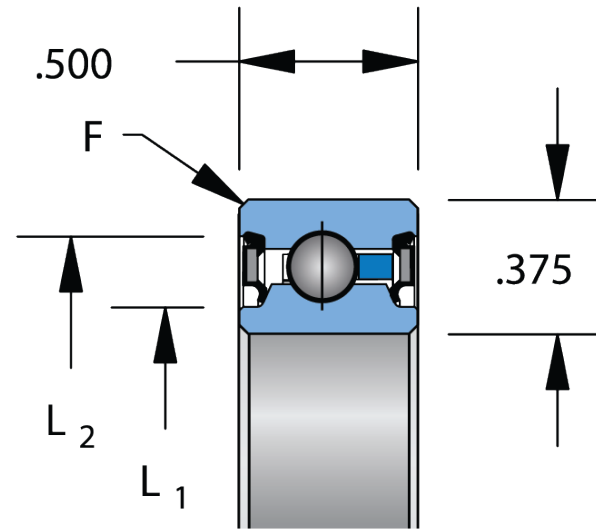


3/16 " balls



$$F = .015^6$$



Width (B)	0.375 in
Closure	Seal or Shield Available
Ring Material	52100 Chrome Steel
Ball Material	52100 Chrome Steel
Brand	KAYDON
L1	4.900 in
L2	5.293 in

COMPONENT

Precision Thin Section



Pacific International Bearing, Inc.  
 33258 Central Ave, Union City, CA 94587  
 1-800-228-8895, 510-512-7000,  
 info@pibsales.com  
 www.pibsales.com

This file and any associated information and specifications are provided for reference and evaluation purposes only, and is subject to change without notice. PIB makes no representations, warranties or guarantees as to the appropriateness, accuracy, completeness, or suitability for any purpose, of the file, information or specifications. You are solely responsible for the use of the file, information or specifications.

**JU047CP0**  
**KAYDON**  
 4.75in X 5.5in X .375in, Thin Section  
 Bearing, Radial Contact Type-c, Sealed  
 Reali-slim, Also Avail. In Stainless Steel

UNIT

INCH

SHEET