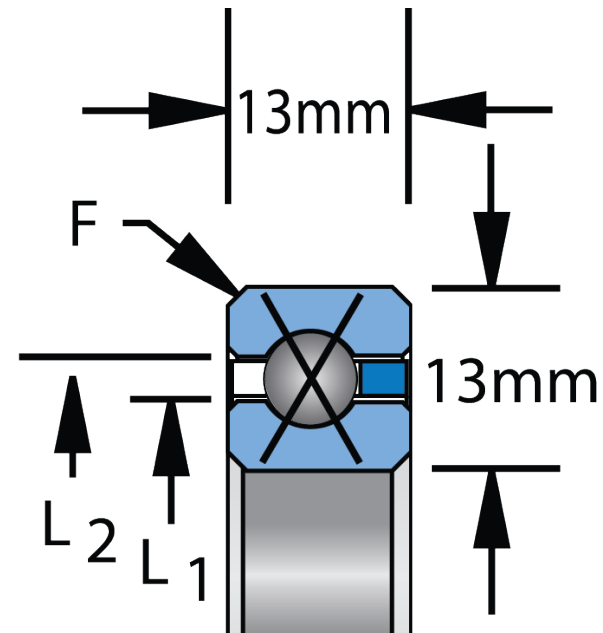




Width (B)	13 mm
Brand	KAYDON
L1	59.7 mm
L2	66.3 mm



$$F = 1.5^3$$

COMPONENT	Precision Thin Section
-----------	------------------------



Pacific International Bearing, Inc.
33258 Central Ave, Union City, CA 94587
1-800-228-8895, 510-512-7000,
info@pibsales.com
www.pibsales.com

This file and any associated information and specifications are provided for reference and evaluation purposes only, and is subject to change without notice. PIB makes no representations, warranties or guarantees as to the appropriateness, accuracy, completeness, or suitability for any purpose, of the file, information or specifications. You are solely responsible for the use of the file, information or specifications.

K05013XP0
KAYDON
50mm X 76mm X 13mm, Thin Section
Bearing, Four Point Contact Type-x, Real-
slim Metric Series, 13 Mm Series

UNIT

SHEET