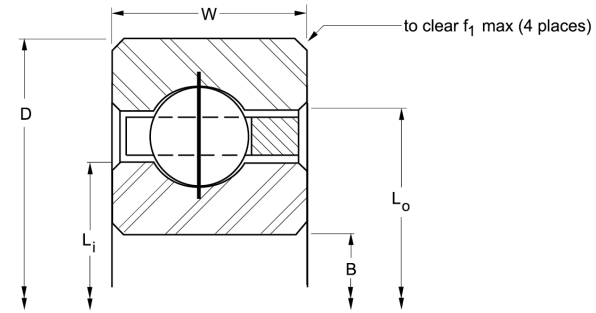




Width (B)	.7500 in
Ring Material	52100 Chrome Steel
Ball Material	52100 Chrome Steel
Brand	RBC
Radial Clearance	C0



COMPONENT		Precisions Thin Section	
KF055CP0-RBC RBC	UNIT		
	INCH		
	SHEET		



**Pacific International Bearing, Inc.**  
33258 Central Ave, Union City, CA 94587  
1-800-228-8895, 510-512-7000,  
info@pibsales.com  
www.pibsales.com

This file and any associated information and specifications are provided for reference and evaluation purposes only, and is subject to change without notice. PIB makes no representations, warranties or guarantees as to the appropriateness, accuracy, completeness, or suitability for any purpose, of the file, information or specifications. You are solely responsible for the use of the file, information or specifications.