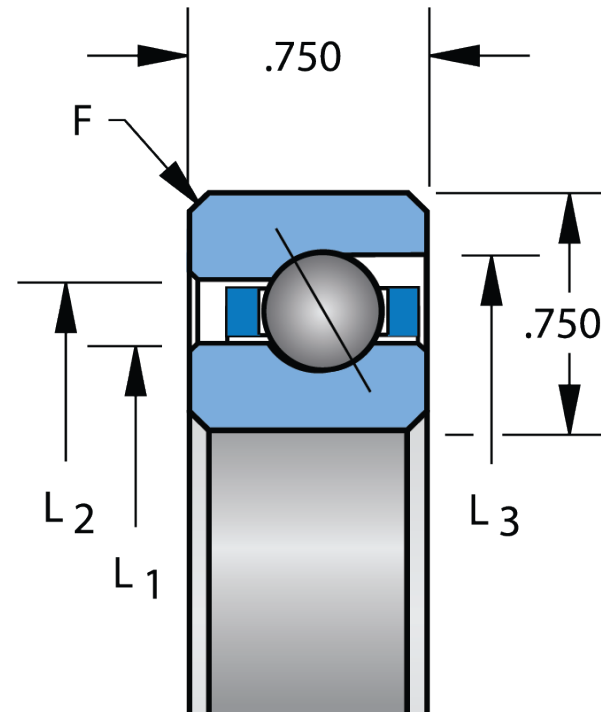




3/8" balls



$F = .080^4$

| | |
|----------------------|----------------------------|
| Bore Diameter (d) | 15.9998 in |
| Outside Diameter (D) | 17.5003 in |
| Width (B) | .7500 in |
| Closure | Open |
| Ring Material | Corrosion Resistant Plated |
| Ball Material | Corrosion Resistant Plated |
| Brand | KAYDON |
| L1 | 16.5550 in |
| L2 | 16.9450 in |

| COMPONENT | Thin Section |
|-----------|--------------|
|-----------|--------------|



Pacific International Bearing, Inc.
 33258 Central Ave, Union City, CA 94587
 1-800-228-8895, 510-512-7000,
 info@pibsales.com
 www.pibsales.com

This file and any associated information and specifications are provided for reference and evaluation purposes only, and is subject to change without notice. PIB makes no representations, warranties or guarantees as to the appropriateness, accuracy, completeness, or suitability for any purpose, of the file, information or specifications. You are solely responsible for the use of the file, information or specifications.

NF160AR0
KAYDON
 15.9998in X 17.5003in X .7500i, Thin Section
 Bearing, Angular Contact Type A,
 Endurakote Anti-corrosion, Open

| |
|-------|
| UNIT |
| Inch |
| SHEET |