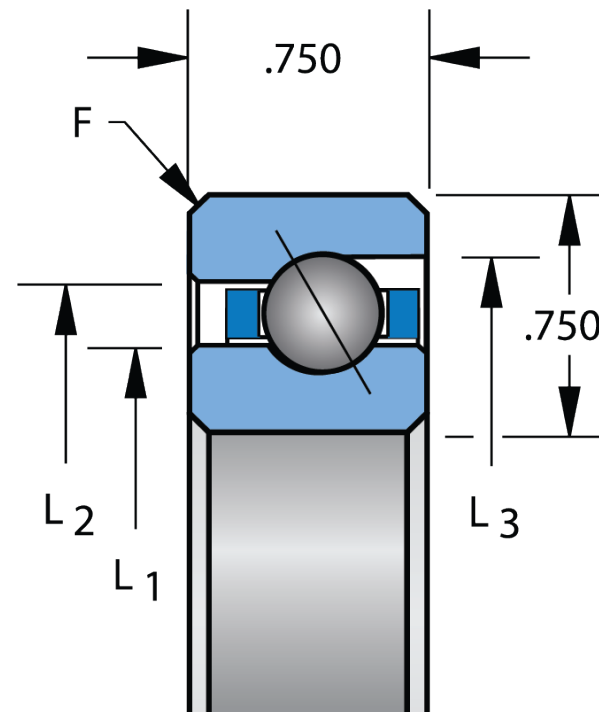





3/8" balls



$F = .080^4$

Bore Diameter (d)	29.9998 in
Outside Diameter (D)	31.5003 in
Width (B)	.7500 in
Closure	Open
Ring Material	Corrosion Resistant Plated
Ball Material	Corrosion Resistant Plated
Brand	KAYDON
L1	30.5550 in
L2	30.9450 in

COMPONENT	Thin Section
-----------	--------------

	Pacific International Bearing, Inc. 33258 Central Ave, Union City, CA 94587 1-800-228-8895, 510-512-7000, info@pibsales.com www.pibsales.com	This file and any associated information and specifications are provided for reference and evaluation purposes only, and is subject to change without notice. PIB makes no representations, warranties or guarantees as to the appropriateness, accuracy, completeness, or suitability for any purpose, of the file, information or specifications. You are solely responsible for the use of the file, information or specifications.	NF300AR0 KAYDON 29.9998in X 31.5003in X .7500i, Thin Section Bearing, Angular Contact Type A, Endurakote Anti-corrosion, Open	UNIT
				Inch
				SHEET