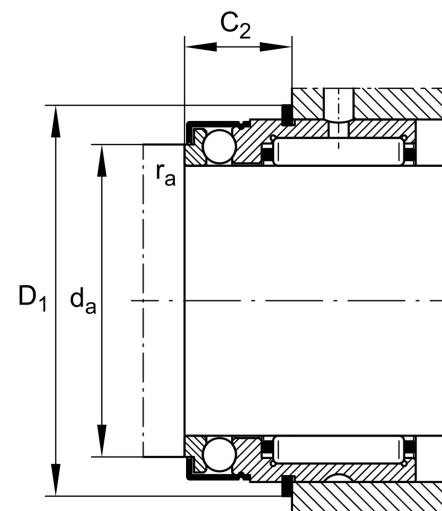


2)



Bore Diameter (d)	25 mm
Outside Diameter (D)	37 mm
Width (B)	30 mm
Brand	INA
Dynamic Load(Cr)	3776.79 lbs
Static Load(C0r)	5035.72 lbs
Dynamic Load AxialCA	2495.38 lbs
Static Load Axial ca	5462.86 lbs
Speed Limit (RPM)	4900

COMPONENT	Needle Roller Axial Ball Bearings
-----------	-----------------------------------



Pacific International Bearing, Inc.
 33258 Central Ave, Union City, CA 94587
 1-800-228-8895, 510-512-7000,
 info@pibsales.com
 www.pibsales.com

This file and any associated information and specifications are provided for reference and evaluation purposes only, and is subject to change without notice. PIB makes no representations, warranties or guarantees as to the appropriateness, accuracy, completeness, or suitability for any purpose, of the file, information or specifications. You are solely responsible for the use of the file, information or specifications.

NX25-XL INA 25mm X 37mm X 30mm, Needle Roller, Axial Ball Bearing, Single Direction, For Oil Lubrication	UNIT
	Metric
	SHEET