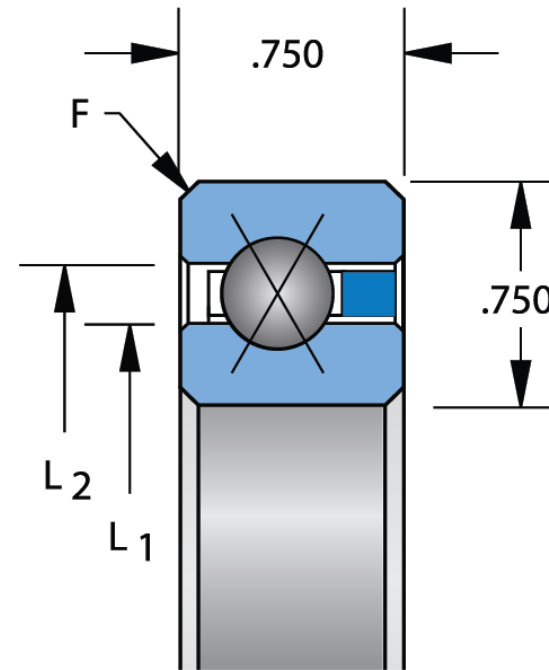




3/8" balls



$$F = .080^3$$

Width (B)	.7500 in
Closure	Open
Ring Material	Stainless Steel
Ball Material	Stainless Steel
Brand	KAYDON
L1	5.3050 in
L2	5.6950 in
Bore Diameter (d)	4.7500 in
O.D. (D)	6.2500 in

COMPONENT	Thin Section
-----------	--------------



Pacific International Bearing, Inc.
 33258 Central Ave, Union City, CA 94587
 1-800-228-8895, 510-512-7000,
 info@pibsales.com
 www.pibsales.com

This file and any associated information and specifications are provided for reference and evaluation purposes only, and is subject to change without notice. PIB makes no representations, warranties or guarantees as to the appropriateness, accuracy, completeness, or suitability for any purpose, of the file, information or specifications. You are solely responsible for the use of the file, information or specifications.

SF047XP0
KAYDON
 4.7500in X 6.2500in X .7500in, Thin Section
 Bearing, Four Point Contact Type-x, Open
 Reali-slim, Stainless Steel

UNIT
Inch
SHEET