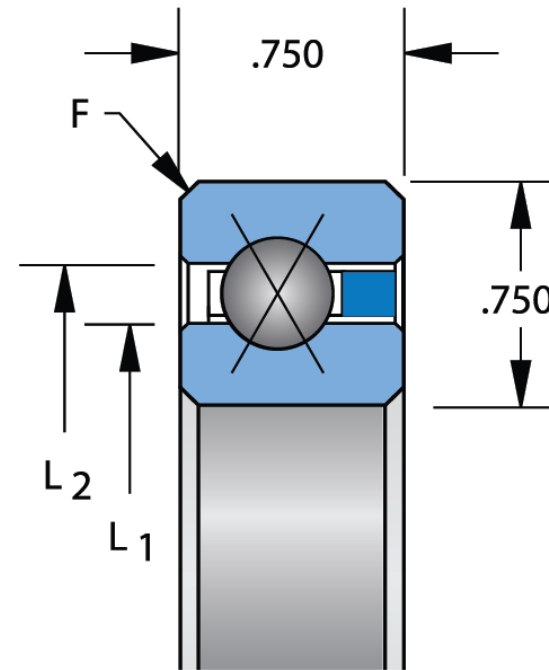




3/8" balls



$$F = .080^3$$

| | |
|----------------------|-----------------|
| Bore Diameter (d) | 7.0 in |
| Outside Diameter (D) | 8.5000 in |
| Width (B) | .7500 in |
| Closure | Open |
| Ring Material | Stainless Steel |
| Ball Material | Stainless Steel |
| Brand | KAYDON |
| L1 | 7.5550 in |
| L2 | 7.9450 in |

| | |
|-----------|--------------|
| COMPONENT | Thin Section |
|-----------|--------------|



Pacific International Bearing, Inc.
 33258 Central Ave, Union City, CA 94587
 1-800-228-8895, 510-512-7000,
 info@pibsales.com
 www.pibsales.com

This file and any associated information and specifications are provided for reference and evaluation purposes only, and is subject to change without notice. PIB makes no representations, warranties or guarantees as to the appropriateness, accuracy, completeness, or suitability for any purpose, of the file, information or specifications. You are solely responsible for the use of the file, information or specifications.

| | |
|---|-------|
| SF070XP0 KAYDON 7in X 8.5000in X .7500in, Thin Section Bearing, Four Point Contact Type-x, Open Reali-slim, Stainless Steel | UNIT |
| | Inch |
| | SHEET |